



Building with conscience.

StoVentro Sub-Construction System

Detail Booklet

Series 90Sc.xx | August 2024

Façades



Interiors



The StoVentro™ Sub-Construction is an integral component of StoVentec® Rainscreen systems.

Safe and long-lasting, StoVentro absorbs both the wind loads and dead loads present on the facade. The sophisticated modular system fulfills specific structural and energy efficiency requirements and provides the best possible solutions for your projects.



Guide Details

Table of Contents

Design Considerations

System Components Design Considerations.....	90.Sc.001
System Component Dimensions	90.Sc.004
System Component Dimensions - Aluminum	90.Sc.004A

Component Dimensions - Steel Brackets with Spring Finger

StoVentro Steel Bracket, with spring finger, Adjustment Range, Bracket Sizes: 80-200mm	90.Sc.005
StoVentro Steel Bracket, with spring finger and L-Profile, Adjustment Range, Bracket Sizes: 80-200mm	90.Sc.005L
StoVentro Steel Bracket, with spring finger, Adjustment Range, Bracket Sizes: 220-280mm	90.Sc.006
StoVentro Steel Bracket, with spring finger and L-Profile, Adjustment Range, Bracket Sizes: 220-280mm	90.Sc.006L
StoVentro Steel Bracket, with spring finger, Adjustment Range, Bracket Sizes: 300-360mm	90.Sc.007
StoVentro Steel Bracket, with spring finger and L-Profile, Adjustment Range, Bracket Sizes: 300-360mm	90.Sc.007L

Component Dimensions - ZAM® Galvanized Steel Brackets without Spring Finger

StoVentro Steel Bracket, Adjustment Range, Bracket Sizes: 40-200mm	90.Sc.008
StoVentro Steel Bracket, L-Profile, Adjustment Range, Bracket Sizes: 40-200mm	90.Sc.008L
StoVentro Steel Bracket, Adjustment Range, Bracket Sizes: 220-280mm	90.Sc.009
StoVentro Steel Bracket, L-Profile, Adjustment Range, Bracket Sizes: 220-280mm	90.Sc.009L
StoVentro Steel Bracket, Adjustment Range, Bracket Sizes: 300-360mm	90.Sc.010
StoVentro Steel Bracket, L-Profile, Adjustment Range, Bracket Sizes: 300-360mm	90.Sc.010L

Component Dimensions - Aluminum Brackets

StoVentro Aluminum Bracket with Thermal Block Element, Adjustment Range, Bracket Sizes: 40-180mm	90.Sc.011
StoVentro Aluminum Bracket, Thermal Block Element and L-Profile, Adjustment Range, Bracket Sizes: 40-180mm	90.Sc.011L
StoVentro Aluminum Bracket, with Thermal Block Element, Adjustment Range, Bracket Sizes: 200-260mm	90.Sc.012
StoVentro Aluminum Bracket, Thermal Block Element and L-Profile, Adjustment Range, Bracket Sizes: 200-260mm	90.Sc.012L
StoVentro Aluminum Bracket, with Thermal Block Element, Adjustment Range, Bracket Sizes: 280-320mm	90.Sc.013
StoVentro Aluminum Bracket, Thermal Block Element and L-Profile, Adjustment Range, Bracket Sizes: 280-320mm	90.Sc.013L

Component Dimensions - Passive House Brackets

StoVentro Passive House Bracket Adjustment Range, Bracket Sizes: 200mm - 240mm	90.Sc.014
StoVentro Passive House Bracket Adjustment Range, Bracket Sizes: 260mm - 300mm	90.Sc.015
StoVentro Passive House Bracket Adjustment Range, Bracket Sizes: 320mm - 360mm	90.Sc.016



ATTENTION

The final design of any project is the sole responsibility of the Design Professional, with considerations for compliance of local building and design codes and requirements. Sto Corp. accepts no liability for design, engineering, or workmanship of any project. The information provided herein is in addition to other technical data provided by Sto Corp. (System Bulletin, Specification, Guide Details, etc). For more information, please visit www.stocorp.com

Sto Corp.
 3800 Camp Creek Pkwy. SW
 Bldg. 1400 • Suite 120
 Atlanta, GA 30331
 Tel: (800) 221-2397
 Fax: (404) 346-3119
<http://www.stocorp.com>
helpdesk.stocorp.com



Table of Contents (cont'd)

Gullwing T-Profile

StoVentro Gullwing T-Profile Installation	90.Sc.017
---	-----------

System Buildup

System buildup with Face Fastened Facade Panel - Steel Brackets	90.Sc.020
System buildup with Face Fastened Facade Panel - Aluminum Brackets	90.Sc.021
System buildup with Metal Panels - Stainless Steel Brackets	90.Sc.022
System buildup with Metal Panels - Aluminum Brackets	90.Sc.023
Rainscreen Installation	
Rainscreen Panel Installation - Section View	90.Sc.030
Rainscreen Panel Installation - Plan View	90.Sc.031

Bracket Installation

Steel Brackets - Large (FP) and Small (GP), with attachment locations - Section View	90.Sc.045
Steel Brackets - Large (FP) and Small (GP), with attachment locations - Elevation and Plan View	90.Sc.046
Aluminum Brackets - Large (FP) and Small (GP), with attachment locations - Section View	90.Sc.047
Aluminum Brackets - Large (FP) and Small (GP), with attachment locations - Elevation and Plan View	90.Sc.048

Installation at Grade

Installation at Grade with Sto Ventilation Profile with Starter Profile	90.Sc.055
Installation at Grade with Sto Ventilation Profile	90.Sc.065

Installation at Windows

Window Head	90.Sc.080
Window Jamb	90.Sc.085
Window Sill	90.Sc.090

Installation at Roofline, Soffit or Ceiling

Installation at Roofline	90.Sc.150
Soffit and Ceiling - Not Insulated	90.Sc.161

Installation at Parapet

Parapet with 10mm Ventilation	90.Sc.180
-------------------------------------	-----------

Installation at Penetrations

Scupper Penetration with Flashing, Backer Rod and Sealant	90.Sc.300
Scupper Penetration with Flashing, Backer Rod, Sealant and Flashing	90.Sc.301
Penetration with Backer Rod and Sealant	90.Sc.330

Installation at Movement Joints

Back-up wall Structural Joint with Facade/Cladding Panel Joint	90.Sc.390
--	-----------

Installation at Corners

Inside Corner	90.Sc.400
Inside Corner to Alternative Facade with Backer Rod and Sealant	90.Sc.409
Outside Corners	90.Sc.410

StoVentro™ Sub-Construction System

StoVentro Vertical Sub-Construction Installation

Design Considerations

Section View

Date: January 2024

Detail No.: 90.Sc.001

For full system offering see StoVentro Product Bulletin, System Bulletin, and Installation Videos**Design Considerations***For Thermal and Structural Performance, contact Sto Corp.***Bracket Types:** Aluminum, Zn-Al-Mg Galvanized Steel, Stainless Steel**Bracket Sizes:** Large Bracket (FP) for Dead Load and Wind Loads | Small Bracket (GP) for Wind Loads**Ventilation Cavity:** 20mm - 50mm ($\frac{13}{16}$ " - 2") | 30mm ($1\frac{3}{16}$ " Adjustability Range)**Profile Types:** T-Profile, L-Profile, Gullwing T-Profile**Horizontal T-Profile Spacing:** 32" o.c. max**Vertical gap between adjacent T/L profiles:** 10 - 15mm ($\frac{3}{8}$ " - $\frac{5}{8}$ ")**Fasteners:** Sub-construction fasteners 5.5 x 22mm; Steel Stud substrate $\frac{1}{4}$ " - 14 Bi-Metal SS;
Concrete/Timber substrates contact Sto Corp.**Minimum fastening distance from top, bottom, or side edges of T/L profiles:** ≥ 10 mm ($\frac{3}{8}$ ")**Quantity of fixed point (FP) connections to T/L profile:** 1 maximum**Quantity of sliding point (GP) connections to T/L profile:** At least one sliding point is required. Actual quantity is defined by prescriptive/pre-engineered designs or project-specific engineering calculations. Fasten through oblong holes in brackets to allow for thermal movement.

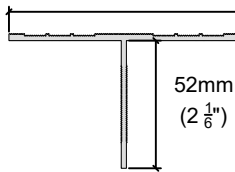
StoVentro™ Sub-Construction System

StoVentro Component Dimensions w/ Steel Brackets

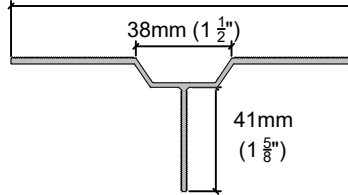
Date: January 2024

Detail No.: 90.Sc.004

FP and GP brackets are available in Zn-Al-Mg-galvanized steel with or without spring fingers. Aluminum brackets are also available (see Detail No.: 90Sc.004A). Stainless steel versions available made-to-order only with lead times. For full system offering see StoVentro Product Bulletin, System Bulletin, and Installation Videos. T-Profiles, L-Profiles, and hat channels are extruded aluminum.

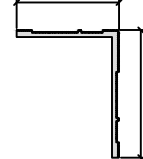
 90mm (3 ⁹/₁₆") or 120mm (4 ³/₄")

 52mm
(2 ¹/₈")

StoVentro T-Profile

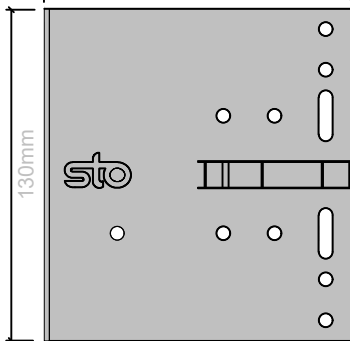
 136mm (5 ³/₈")

 38mm (1 ¹/₂")

 41mm
(1 ⁵/₈")

StoVentro Gullwing T-Profile

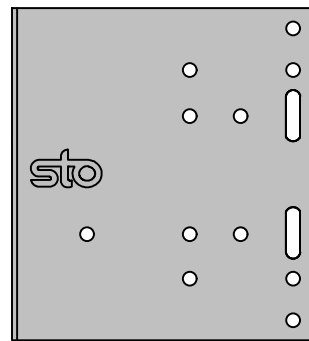
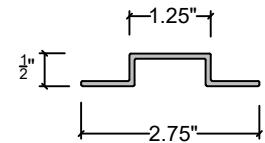
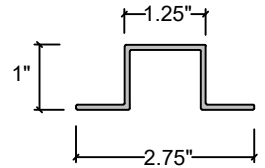
 40mm (1 ⁵/₁₆")

 50mm
(1 ¹⁵/₁₆")

StoVentro L-Profile

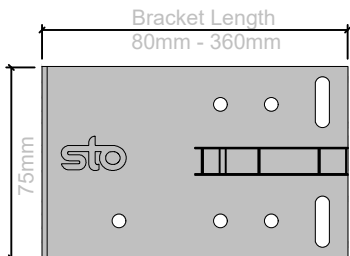
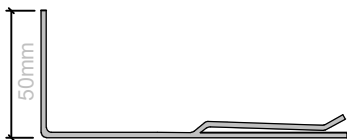
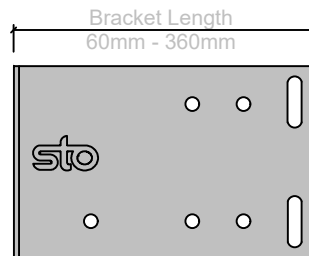
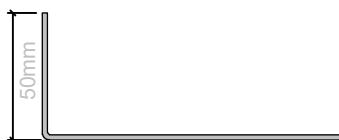
 Bracket Length
80mm - 360mm


130mm

 StoVentro Steel - Large
Bracket (FP) w/ springfinger

 Bracket Length
60mm - 360mm

 StoVentro Steel - Large
Bracket (FP)

 StoVentro ¹/₂" Hat Channel


StoVentro 1" Hat Channel


 StoVentro Steel - Small
Bracket (GP) w/ springfinger

 StoVentro Steel - Small
Bracket (GP)

 StoVentro Steel Stud Fastener
¹/₄ -14 x 2" self-drilling hex head screw
with washer - (stainless steel)

 StoVentro Sub-construction Fastener
5.5mm x 22mm (³/₁₆ in. x ⁷/₈ in.)
self-drilling hex head screw -
(stainless steel)

ATTENTION

Sto products are intended for use by qualified professional contractors, not consumers, as a component of a larger construction assembly as specified by a qualified design professional, general contractor or builder. They should be installed in accordance with those specifications and Sto's instructions. Sto Corp. disclaims all, and assumes no, liability for on-site inspections, for its products applied improperly, or by unqualified persons or entities, or as part of an improperly designed or constructed building, for the nonperformance of adjacent building components or assemblies, or for other construction activities beyond Sto's control. Improper use of Sto products or use as part of an improperly designed or constructed larger assembly or building may result in serious damage to Sto products, and to the structure of the building or its components.

STO CORP. DISCLAIMS ALL WARRANTIES EXPRESSED OR IMPLIED EXCEPT FOR EXPLICIT LIMITED WRITTEN WARRANTIES ISSUED TO AND ACCEPTED BY BUILDING OWNERS IN ACCORDANCE WITH STO'S WARRANTY PROGRAMS WHICH ARE SUBJECT TO CHANGE FROM TIME TO TIME. For the fullest, most current information on proper application, clean-up, mixing and other specifications and warranties, cautions and disclaimers, please refer to the Sto Corp. website, www.stocorp.com.

StoVentro™ Sub-Construction System

StoVentro Aluminum Component Dimensions

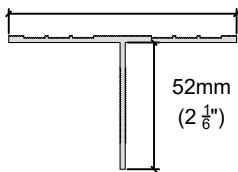
Date: January 2024

Section View

Detail No.: 90.Sc.004A

For full system offering see StoVentro Product Bulletin, System Bulletin, and Installation Videos

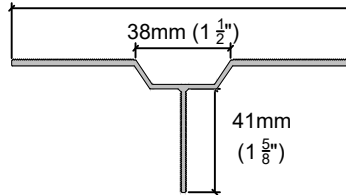
90mm (3 ⁹/₁₆") or 120mm (4 ³/₄")



52mm
(2 ¹/₈")

StoVentro T-Profile

136mm (5 ³/₈")

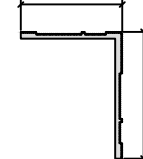


38mm (1 ¹/₂")

41mm
(1 ⁵/₈")

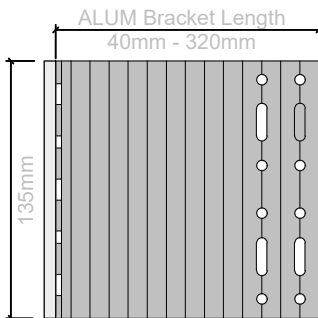
StoVentro Gullwing
T-Profile

40mm (1 ⁹/₁₆")

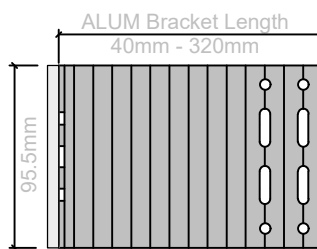


50mm
(1 ¹⁵/₁₆")

StoVentro L-Profile

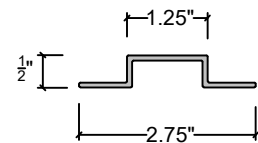


StoVentro ALUM - Large
Bracket (FP) with Thermal
Blocking Element (6mm (¹/₄") thick)

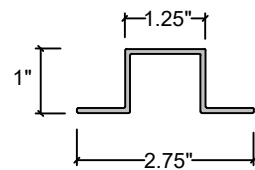


StoVentro ALUM - Small
Bracket (GP)

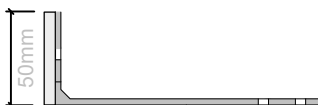
with Thermal Blocking Element (6mm (¹/₄") thick)



StoVentro ¹/₂" Hat Channel



StoVentro 1" Hat Channel



StoVentro Steel Stud Fastener
¹/₄ -14 x 2" self-drilling hex head
screw with washer - (stainless steel)



StoVentro Sub-construction Fastener
5.5mm x 22mm (³/₁₆ in. x ⁷/₈ in.) self-drilling
hex head screw - (stainless steel)

ATTENTION

Sto products are intended for use by qualified professional contractors, not consumers, as a component of a larger construction assembly as specified by a qualified design professional, general contractor or builder. They should be installed in accordance with those specifications and Sto's instructions. Sto Corp. disclaims all, and assumes no, liability for on-site inspections, for its products applied improperly, or by unqualified persons or entities, or as part of an improperly designed or constructed building, for the nonperformance of adjacent building components or assemblies, or for other construction activities beyond Sto's control. Improper use of Sto products or use as part of an improperly designed or constructed larger assembly or building may result in serious damage to Sto products, and to the structure of the building or its components.

STO CORP. DISCLAIMS ALL WARRANTIES EXPRESSED OR IMPLIED EXCEPT FOR EXPLICIT LIMITED WRITTEN WARRANTIES ISSUED TO AND ACCEPTED BY BUILDING OWNERS IN ACCORDANCE WITH STO'S WARRANTY PROGRAMS WHICH ARE SUBJECT TO CHANGE FROM TIME TO TIME. For the fullest, most current information on proper application, clean-up, mixing and other specifications and warranties, cautions and disclaimers, please refer to the Sto Corp. website, www.stocorp.com.

StoVentro™ Sub-Construction System

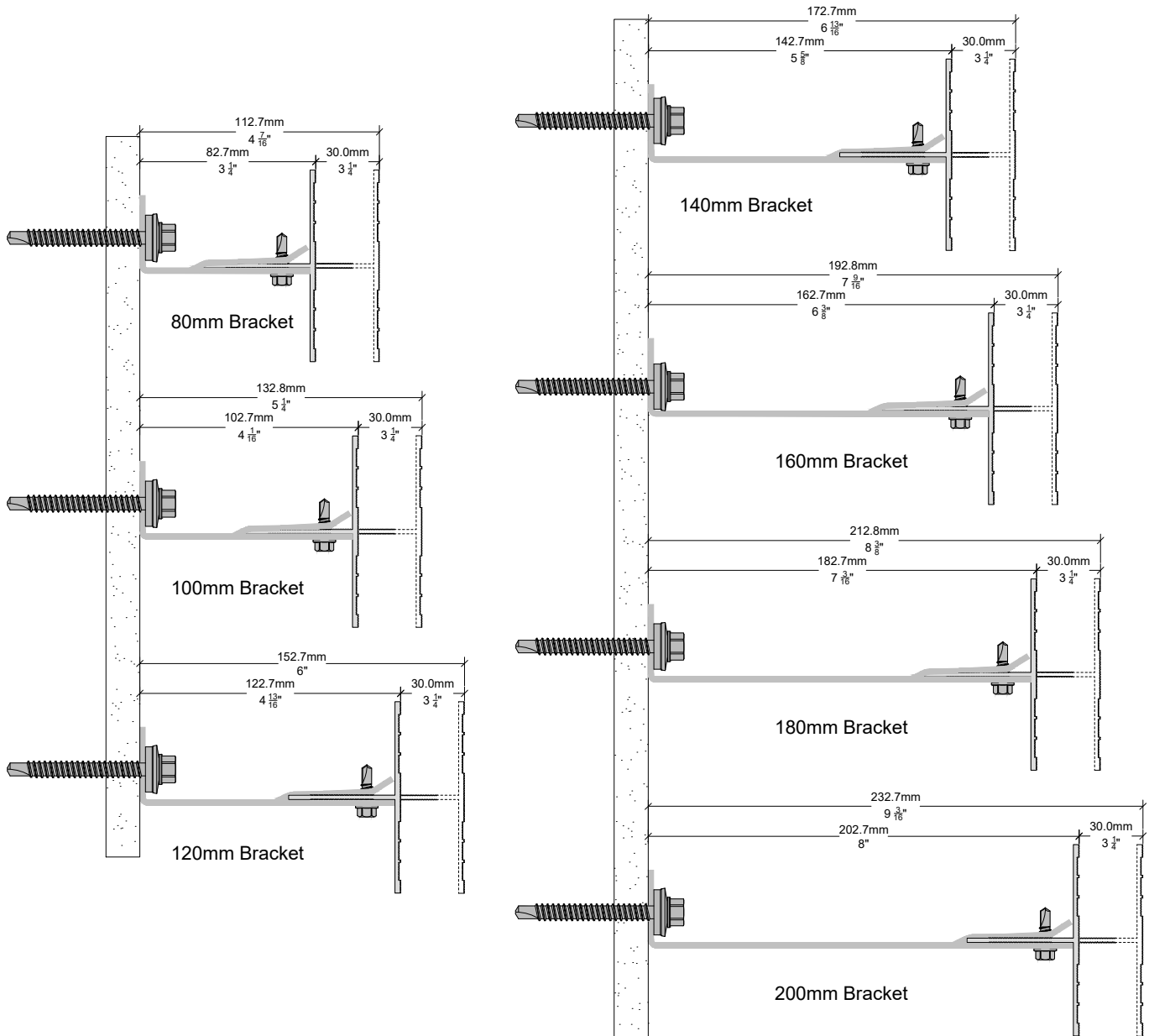
StoVentro Steel Bracket, with spring finger and T-Profile

Bracket Sizes: 80mm - 200mm (3 $\frac{1}{8}$ " - 7 $\frac{7}{8}$ ") | Typical 30mm (1 $\frac{3}{16}$ ") Adjustment Range

Section View

Date: January 2024

Detail No.: 90.Sc.005



ATTENTION

Sto products are intended for use by qualified professional contractors, not consumers, as a component of a larger construction assembly as specified by a qualified design professional, general contractor or builder. They should be installed in accordance with those specifications and Sto's instructions. Sto Corp. disclaims all, and assumes no, liability for on-site inspections, for its products applied improperly, or by unqualified persons or entities, or as part of an improperly designed or constructed building, for the nonperformance of adjacent building components or assemblies, or for other construction activities beyond Sto's control. Improper use of Sto products or use as part of an improperly designed or constructed larger assembly or building may result in serious damage to Sto products, and to the structure of the building or its components.

STO CORP. DISCLAIMS ALL WARRANTIES EXPRESSED OR IMPLIED EXCEPT FOR EXPLICIT LIMITED WRITTEN WARRANTIES ISSUED TO AND ACCEPTED BY BUILDING OWNERS IN ACCORDANCE WITH STO'S WARRANTY PROGRAMS WHICH ARE SUBJECT TO CHANGE FROM TIME TO TIME. For the fullest, most current information on proper application, clean-up, mixing and other specifications and warranties, cautions and disclaimers, please refer to the Sto Corp. website, www.stocorp.com.

StoVentro™ Sub-Construction System

StoVentro Steel Bracket, with spring finger and L-Profile

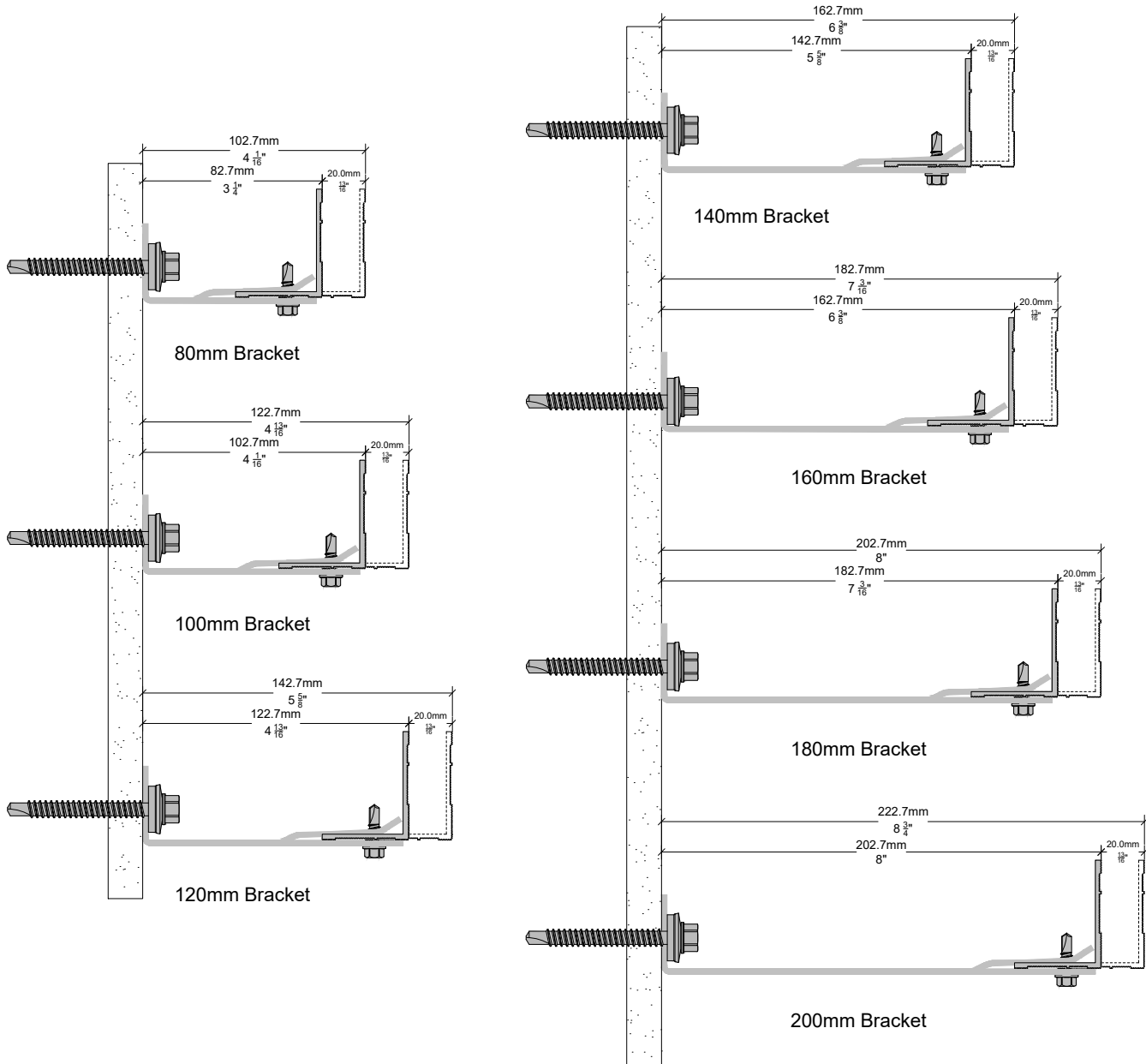
Bracket Sizes: 80mm - 200mm (3 1/8" - 7 7/8") | Typical 20mm (13/16") Adjustment Range

Section View

Date: January 2024

Detail No.: 90.Sc.005L

StoVentro L-Profile can be rotated 90 degrees to allow for a 30mm Adjustment Range



ATTENTION

Sto products are intended for use by qualified professional contractors, not consumers, as a component of a larger construction assembly as specified by a qualified design professional, general contractor or builder. They should be installed in accordance with those specifications and Sto's instructions. Sto Corp. disclaims all, and assumes no, liability for on-site inspections, for its products applied improperly, or by unqualified persons or entities, or as part of an improperly designed or constructed building, for the nonperformance of adjacent building components or assemblies, or for other construction activities beyond Sto's control. Improper use of Sto products or use as part of an improperly designed or constructed larger assembly or building may result in serious damage to Sto products, and to the structure of the building or its components.

STO CORP. DISCLAIMS ALL WARRANTIES EXPRESSED OR IMPLIED EXCEPT FOR EXPLICIT LIMITED WRITTEN WARRANTIES ISSUED TO AND ACCEPTED BY BUILDING OWNERS IN ACCORDANCE WITH STO'S WARRANTY PROGRAMS WHICH ARE SUBJECT TO CHANGE FROM TIME TO TIME. For the fullest, most current information on proper application, clean-up, mixing and other specifications and warranties, cautions and disclaimers, please refer to the Sto Corp. website, www.stocorp.com.

StoVentro™ Sub-Construction System

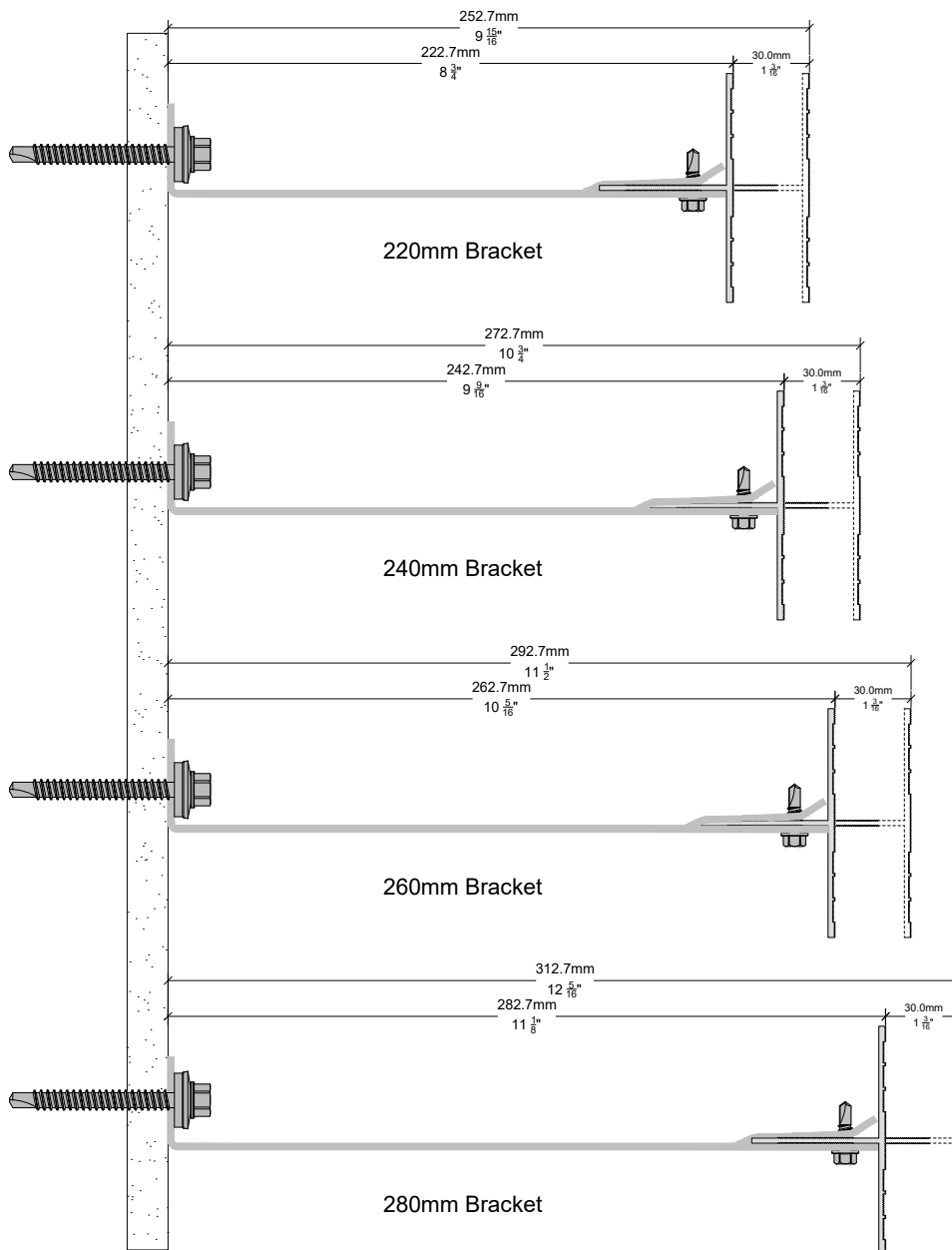
StoVentro Steel Bracket, with spring finger and T-Profile

Bracket Sizes: 220mm - 280mm ($8\frac{11}{16}$ " - 11") | Typical 30mm ($1\frac{3}{16}$ ") Adjustment Range

Section View

Date: January 2024

Detail No.: 90.Sc.006



ATTENTION

Sto products are intended for use by qualified professional contractors, not consumers, as a component of a larger construction assembly as specified by a qualified design professional, general contractor or builder. They should be installed in accordance with those specifications and Sto's instructions. Sto Corp. disclaims all, and assumes no, liability for on-site inspections, for its products applied improperly, or by unqualified persons or entities, or as part of an improperly designed or constructed building, for the nonperformance of adjacent building components or assemblies, or for other construction activities beyond Sto's control. Improper use of Sto products or use as part of an improperly designed or constructed larger assembly or building may result in serious damage to Sto products, and to the structure of the building or its components.

STO CORP. DISCLAIMS ALL WARRANTIES EXPRESSED OR IMPLIED EXCEPT FOR EXPLICIT LIMITED WRITTEN WARRANTIES ISSUED TO AND ACCEPTED BY BUILDING OWNERS IN ACCORDANCE WITH STO'S WARRANTY PROGRAMS WHICH ARE SUBJECT TO CHANGE FROM TIME TO TIME. For the fullest, most current information on proper application, clean-up, mixing and other specifications and warranties, cautions and disclaimers, please refer to the Sto Corp. website, www.stocorp.com.

StoVentro™ Sub-Construction System

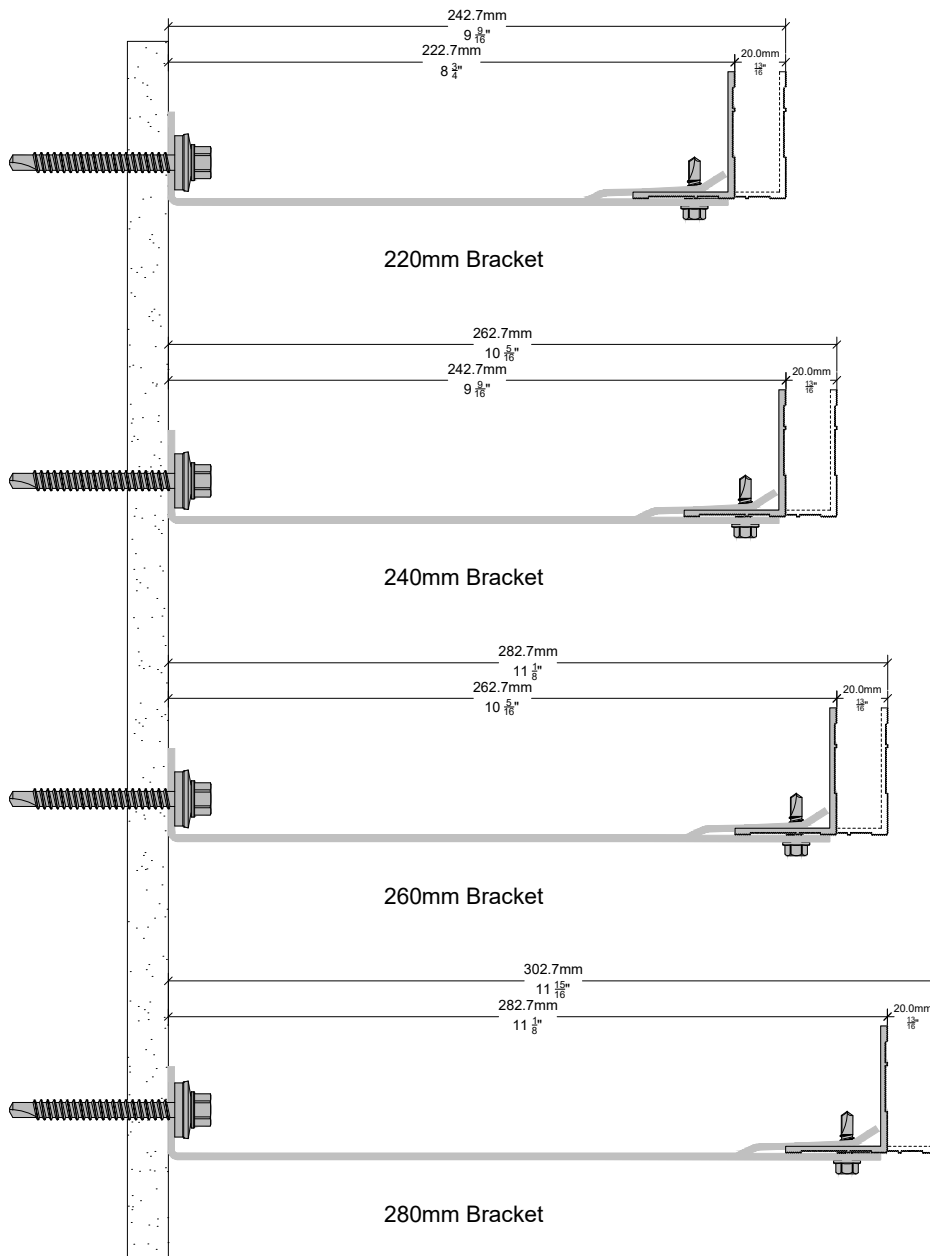
StoVentro Steel Bracket, with spring finger and L-Profile

Bracket Sizes: 220mm - 280mm ($8\frac{11}{16}$ " - 11") | Typical 20mm ($\frac{13}{16}$ ") Adjustment Range

Section View

Date: January 2024

Detail No.: 90.Sc.006L

StoVentro L-Profile can be rotated 90 degrees to allow for a 30mm Adjustment Range**ATTENTION**

Sto products are intended for use by qualified professional contractors, not consumers, as a component of a larger construction assembly as specified by a qualified design professional, general contractor or builder. They should be installed in accordance with those specifications and Sto's instructions. Sto Corp. disclaims all, and assumes no, liability for on-site inspections, for its products applied improperly, or by unqualified persons or entities, or as part of an improperly designed or constructed building, for the nonperformance of adjacent building components or assemblies, or for other construction activities beyond Sto's control. Improper use of Sto products or use as part of an improperly designed or constructed larger assembly or building may result in serious damage to Sto products, and to the structure of the building or its components.

STO CORP. DISCLAIMS ALL WARRANTIES EXPRESSED OR IMPLIED EXCEPT FOR EXPLICIT LIMITED WRITTEN WARRANTIES ISSUED TO AND ACCEPTED BY BUILDING OWNERS IN ACCORDANCE WITH STO'S WARRANTY PROGRAMS WHICH ARE SUBJECT TO CHANGE FROM TIME TO TIME. For the fullest, most current information on proper application, clean-up, mixing and other specifications and warranties, cautions and disclaimers, please refer to the Sto Corp. website, www.stocorp.com.

StoVentro™ Sub-Construction System

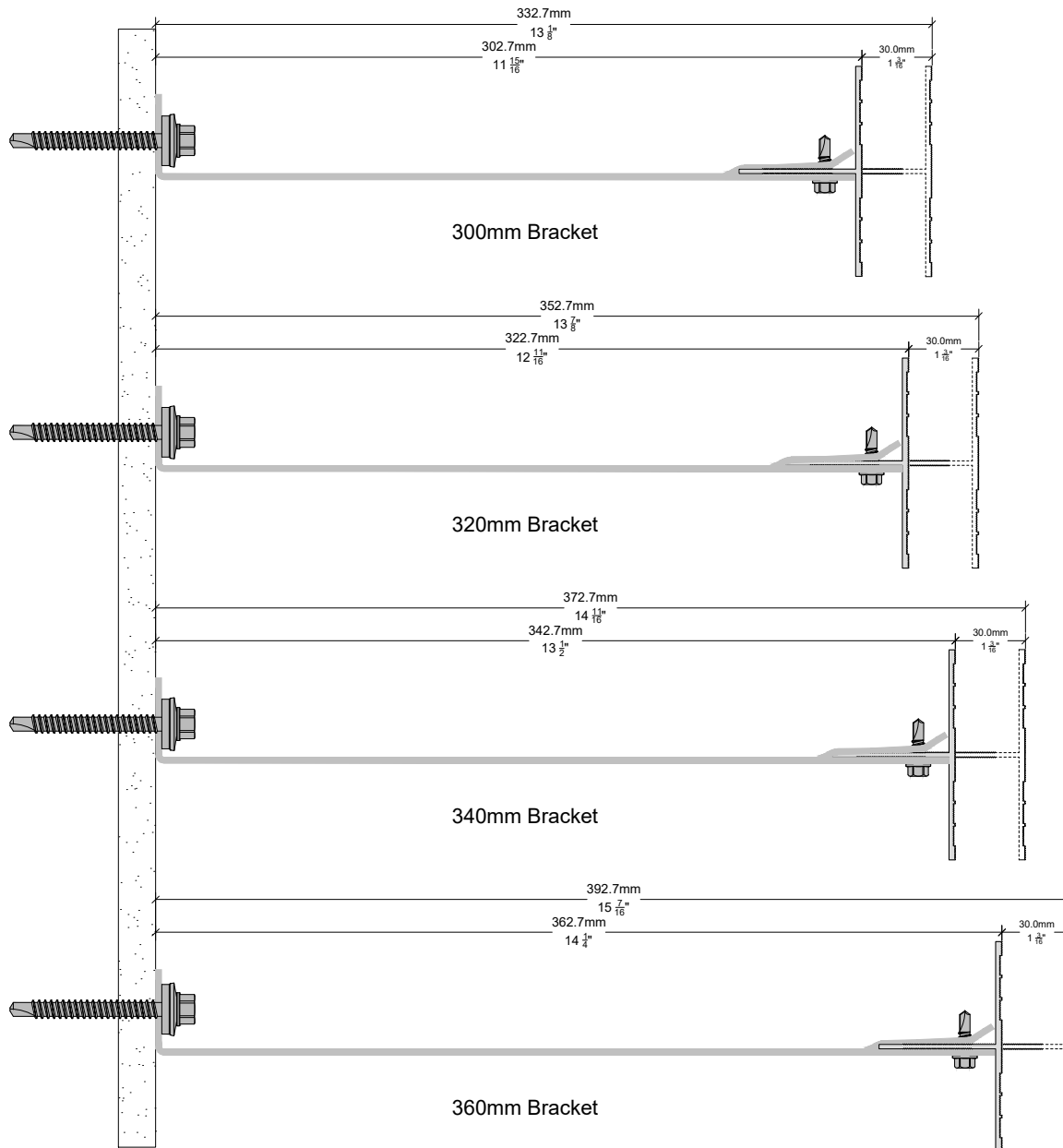
StoVentro Steel Bracket, with spring finger and T-Profile

Bracket Sizes: 300mm - 360mm ($11 \frac{13}{16}$ " - $14 \frac{3}{16}$ ") | Typical 30mm ($1 \frac{3}{16}$ ") Adjustment Range

Section View

Date: January 2024

Detail No.: 90.Sc.007

**ATTENTION**

Sto products are intended for use by qualified professional contractors, not consumers, as a component of a larger construction assembly as specified by a qualified design professional, general contractor or builder. They should be installed in accordance with those specifications and Sto's instructions. Sto Corp. disclaims all, and assumes no, liability for on-site inspections, for its products applied improperly, or by unqualified persons or entities, or as part of an improperly designed or constructed building, for the nonperformance of adjacent building components or assemblies, or for other construction activities beyond Sto's control. Improper use of Sto products or use as part of an improperly designed or constructed larger assembly or building may result in serious damage to Sto products, and to the structure of the building or its components.

STO CORP. DISCLAIMS ALL WARRANTIES EXPRESSED OR IMPLIED EXCEPT FOR EXPLICIT LIMITED WRITTEN WARRANTIES ISSUED TO AND ACCEPTED BY BUILDING OWNERS IN ACCORDANCE WITH STO'S WARRANTY PROGRAMS WHICH ARE SUBJECT TO CHANGE FROM TIME TO TIME. For the fullest, most current information on proper application, clean-up, mixing and other specifications and warranties, cautions and disclaimers, please refer to the Sto Corp. website, www.stocorp.com.

StoVentro™ Sub-Construction System

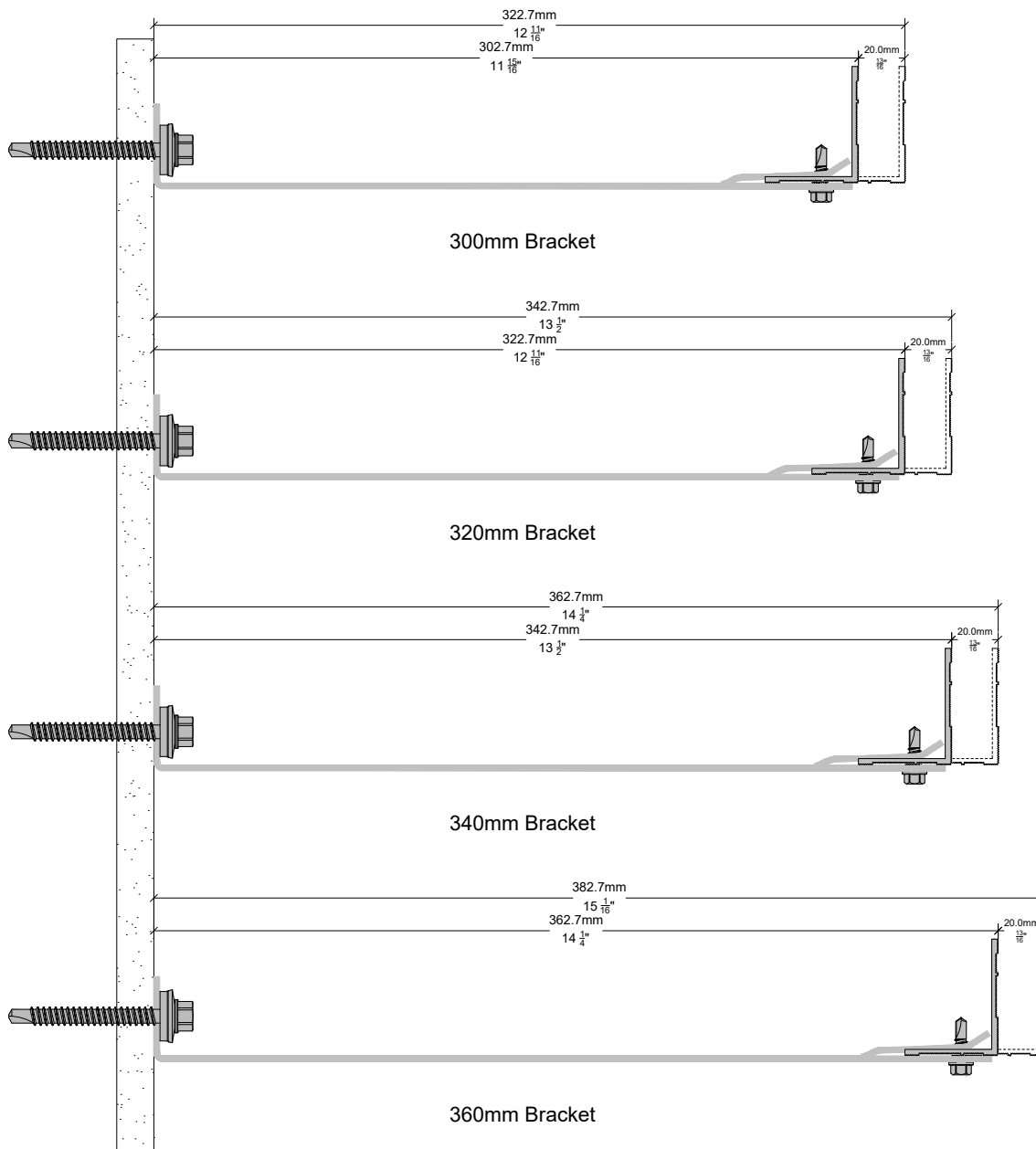
StoVentro Steel Bracket, with spring finger and L-Profile

Bracket Sizes: 300mm - 360mm ($11 \frac{13}{16}$ " - $14 \frac{3}{16}$ ") | Typical 20mm ($\frac{13}{16}$ ") Adjustment Range

Section View

Date: January 2024

Detail No.: 90.Sc.007L

StoVentro L-Profile can be rotated 90 degrees to allow for a 30mm Adjustment Range**ATTENTION**

Sto products are intended for use by qualified professional contractors, not consumers, as a component of a larger construction assembly as specified by a qualified design professional, general contractor or builder. They should be installed in accordance with those specifications and Sto's instructions. Sto Corp. disclaims all, and assumes no, liability for on-site inspections, for its products applied improperly, or by unqualified persons or entities, or as part of an improperly designed or constructed building, for the nonperformance of adjacent building components or assemblies, or for other construction activities beyond Sto's control. Improper use of Sto products or use as part of an improperly designed or constructed larger assembly or building may result in serious damage to Sto products, and to the structure of the building or its components.

STO CORP. DISCLAIMS ALL WARRANTIES EXPRESSED OR IMPLIED EXCEPT FOR EXPLICIT LIMITED WRITTEN WARRANTIES ISSUED TO AND ACCEPTED BY BUILDING OWNERS IN ACCORDANCE WITH STO'S WARRANTY PROGRAMS WHICH ARE SUBJECT TO CHANGE FROM TIME TO TIME. For the fullest, most current information on proper application, clean-up, mixing and other specifications and warranties, cautions and disclaimers, please refer to the Sto Corp. website, www.stocorp.com.

StoVentro™ Sub-Construction System

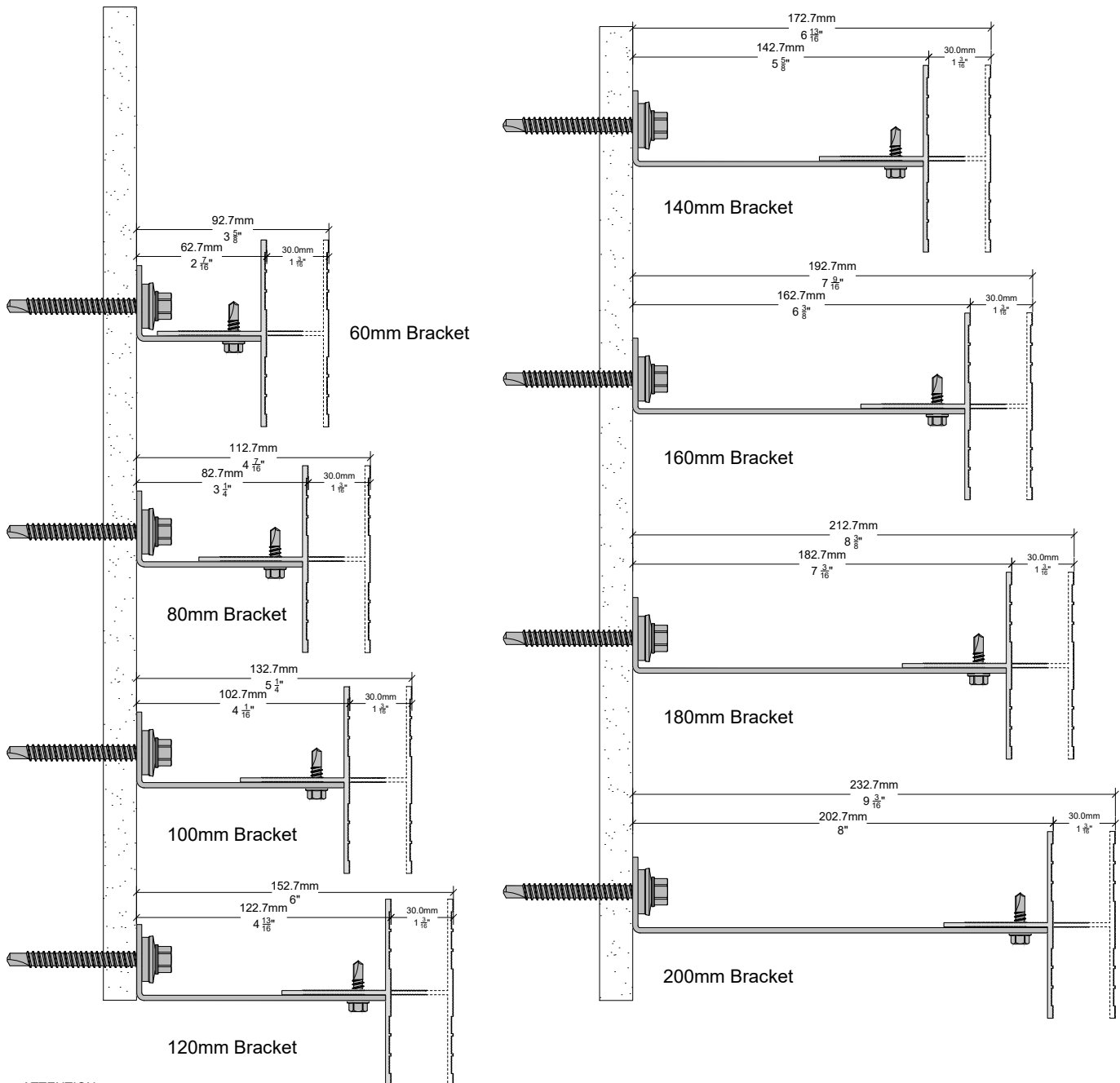
StoVentro Steel Bracket, w/o spring finger and T-Profile

Bracket Sizes: 60mm - 200mm (1 $\frac{9}{16}$ " - 7 $\frac{7}{8}$ ") | Typical 30mm (1 $\frac{3}{16}$ ") Adjustment Range

Section View

Date: January 2024

Detail No.: 90.Sc.008



ATTENTION

Sto products are intended for use by qualified professional contractors, not consumers, as a component of a larger construction assembly as specified by a qualified design professional, general contractor or builder. They should be installed in accordance with those specifications and Sto's instructions. Sto Corp. disclaims all, and assumes no, liability for on-site inspections, for its products applied improperly, or by unqualified persons or entities, or as part of an improperly designed or constructed building, for the nonperformance of adjacent building components or assemblies, or for other construction activities beyond Sto's control. Improper use of Sto products or use as part of an improperly designed or constructed larger assembly or building may result in serious damage to Sto products, and to the structure of the building or its components.

STO CORP. DISCLAIMS ALL WARRANTIES EXPRESSED OR IMPLIED EXCEPT FOR EXPLICIT LIMITED WRITTEN WARRANTIES ISSUED TO AND ACCEPTED BY BUILDING OWNERS IN ACCORDANCE WITH STO'S WARRANTY PROGRAMS WHICH ARE SUBJECT TO CHANGE FROM TIME TO TIME. For the fullest, most current information on proper application, clean-up, mixing and other specifications and warranties, cautions and disclaimers, please refer to the Sto Corp. website, www.stocorp.com.

StoVentro™ Sub-Construction System

StoVentro Steel Bracket, w/o spring finger and L-Profile

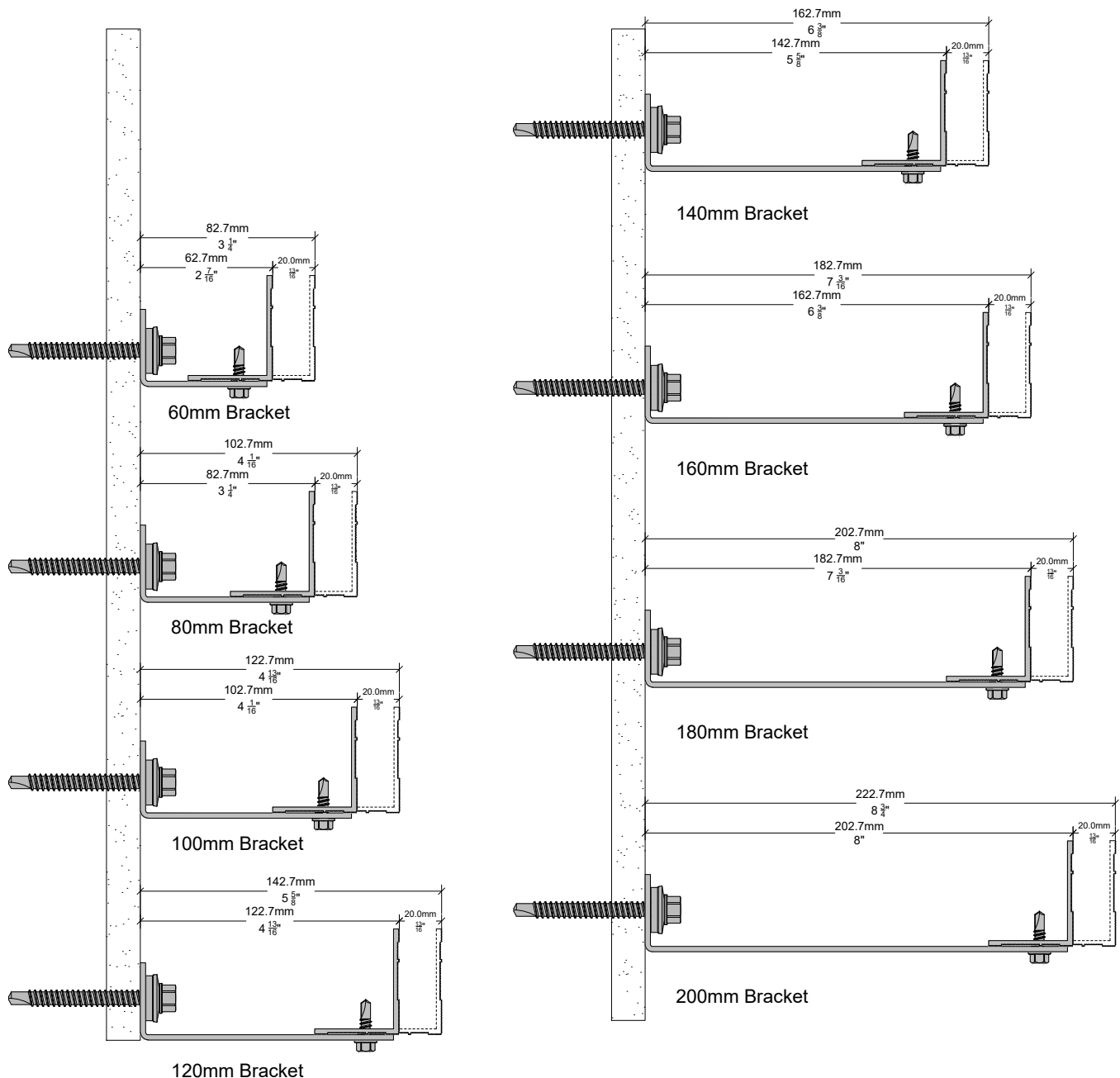
Bracket Sizes: 60mm - 200mm (1 $\frac{9}{16}$ " - 7 $\frac{7}{8}$ ") | Typical 20mm ($\frac{13}{16}$ ") Adjustment Range

Section View

Date: January 2024

Detail No.: 90.Sc.008L

StoVentro L-Profile can be rotated 90 degrees to allow for a 30mm Adjustment Range



ATTENTION

Sto products are intended for use by qualified professional contractors, not consumers, as a component of a larger construction assembly as specified by a qualified design professional, general contractor or builder. They should be installed in accordance with those specifications and Sto's instructions. Sto Corp. disclaims all, and assumes no, liability for on-site inspections, for its products applied improperly, or by unqualified persons or entities, or as part of an improperly designed or constructed building, for the nonperformance of adjacent building components or assemblies, or for other construction activities beyond Sto's control. Improper use of Sto products or use as part of an improperly designed or constructed larger assembly or building may result in serious damage to Sto products, and to the structure of the building or its components.

STO CORP. DISCLAIMS ALL WARRANTIES EXPRESSED OR IMPLIED EXCEPT FOR EXPLICIT LIMITED WRITTEN WARRANTIES ISSUED TO AND ACCEPTED BY BUILDING OWNERS IN ACCORDANCE WITH STO'S WARRANTY PROGRAMS WHICH ARE SUBJECT TO CHANGE FROM TIME TO TIME. For the fullest, most current information on proper application, clean-up, mixing and other specifications and warranties, cautions and disclaimers, please refer to the Sto Corp. website, www.stocorp.com.

StoVentro™ Sub-Construction System

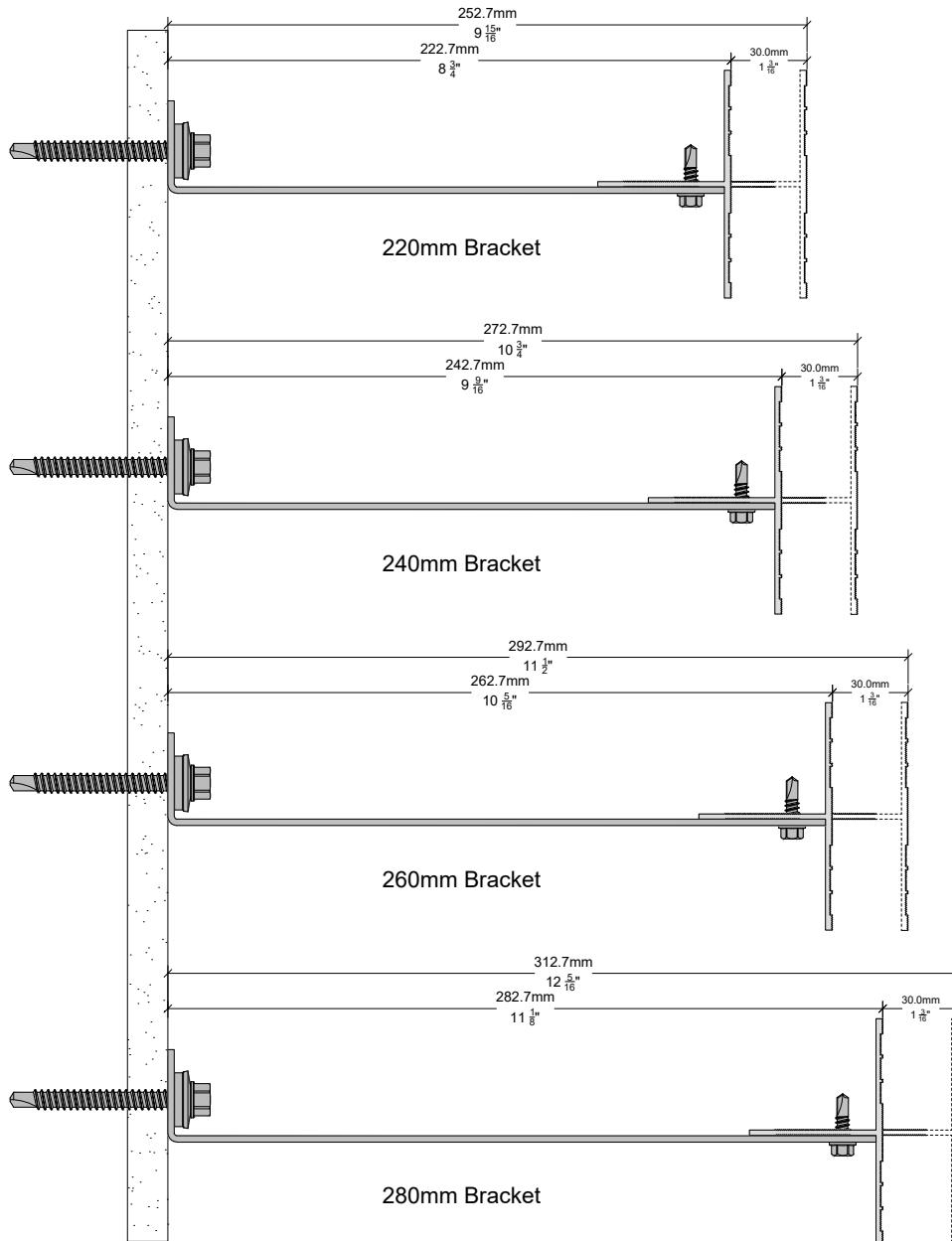
StoVentro Steel Bracket, w/o spring finger and T-Profile

Bracket Sizes: 220mm - 280mm ($8\frac{11}{16}"$ - $11"$) | Typical 30mm ($1\frac{3}{16}"$) Adjustment Range

Section View

Date: January 2024

Detail No.: 90.Sc.009



ATTENTION

Sto products are intended for use by qualified professional contractors, not consumers, as a component of a larger construction assembly as specified by a qualified design professional, general contractor or builder. They should be installed in accordance with those specifications and Sto's instructions. Sto Corp. disclaims all, and assumes no, liability for on-site inspections, for its products applied improperly, or by unqualified persons or entities, or as part of an improperly designed or constructed building, for the nonperformance of adjacent building components or assemblies, or for other construction activities beyond Sto's control. Improper use of Sto products or use as part of an improperly designed or constructed larger assembly or building may result in serious damage to Sto products, and to the structure of the building or its components.

STO CORP. DISCLAIMS ALL WARRANTIES EXPRESSED OR IMPLIED EXCEPT FOR EXPLICIT LIMITED WRITTEN WARRANTIES ISSUED TO AND ACCEPTED BY BUILDING OWNERS IN ACCORDANCE WITH STO'S WARRANTY PROGRAMS WHICH ARE SUBJECT TO CHANGE FROM TIME TO TIME. For the fullest, most current information on proper application, clean-up, mixing and other specifications and warranties, cautions and disclaimers, please refer to the Sto Corp. website, www.stocorp.com.

StoVentro™ Sub-Construction System

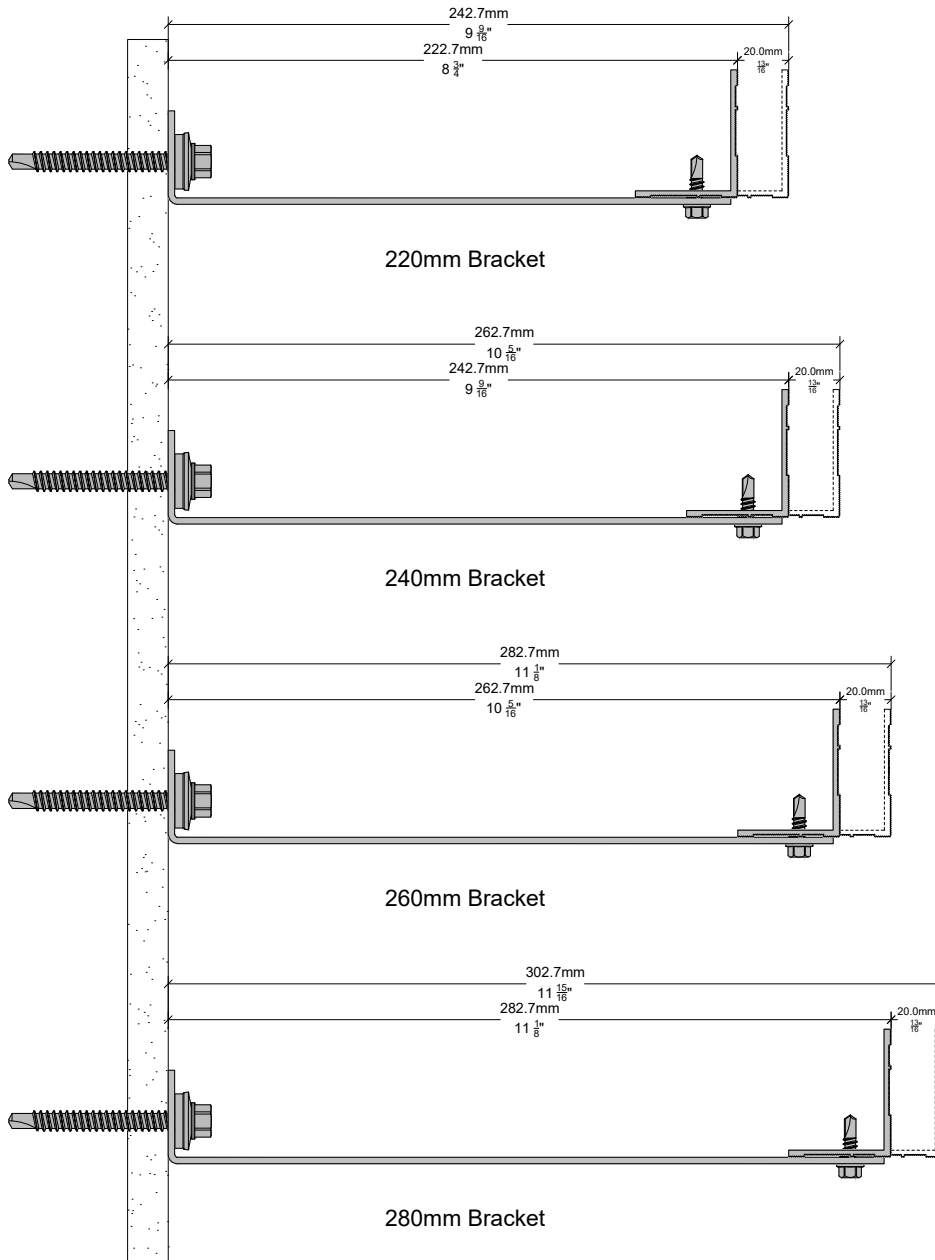
StoVentro Steel Bracket, w/o spring finger and L-Profile

Bracket Sizes: 220mm - 280mm (8 $\frac{11}{16}$ " - 11") | Typical 20mm ($\frac{13}{16}$ ") Adjustment Range

Section View

Date: January 2024

Detail No.: 90.Sc.009L

StoVentro L-Profile can be rotated 90 degrees to allow for a 30mm Adjustment Range**ATTENTION**

Sto products are intended for use by qualified professional contractors, not consumers, as a component of a larger construction assembly as specified by a qualified design professional, general contractor or builder. They should be installed in accordance with those specifications and Sto's instructions. Sto Corp. disclaims all, and assumes no, liability for on-site inspections, for its products applied improperly, or by unqualified persons or entities, or as part of an improperly designed or constructed building, for the nonperformance of adjacent building components or assemblies, or for other construction activities beyond Sto's control. Improper use of Sto products or use as part of an improperly designed or constructed larger assembly or building may result in serious damage to Sto products, and to the structure of the building or its components.

STO CORP. DISCLAIMS ALL WARRANTIES EXPRESSED OR IMPLIED EXCEPT FOR EXPLICIT LIMITED WRITTEN WARRANTIES ISSUED TO AND ACCEPTED BY BUILDING OWNERS IN ACCORDANCE WITH STO'S WARRANTY PROGRAMS WHICH ARE SUBJECT TO CHANGE FROM TIME TO TIME. For the fullest, most current information on proper application, clean-up, mixing and other specifications and warranties, cautions and disclaimers, please refer to the Sto Corp. website, www.stocorp.com.

StoVentro™ Sub-Construction System

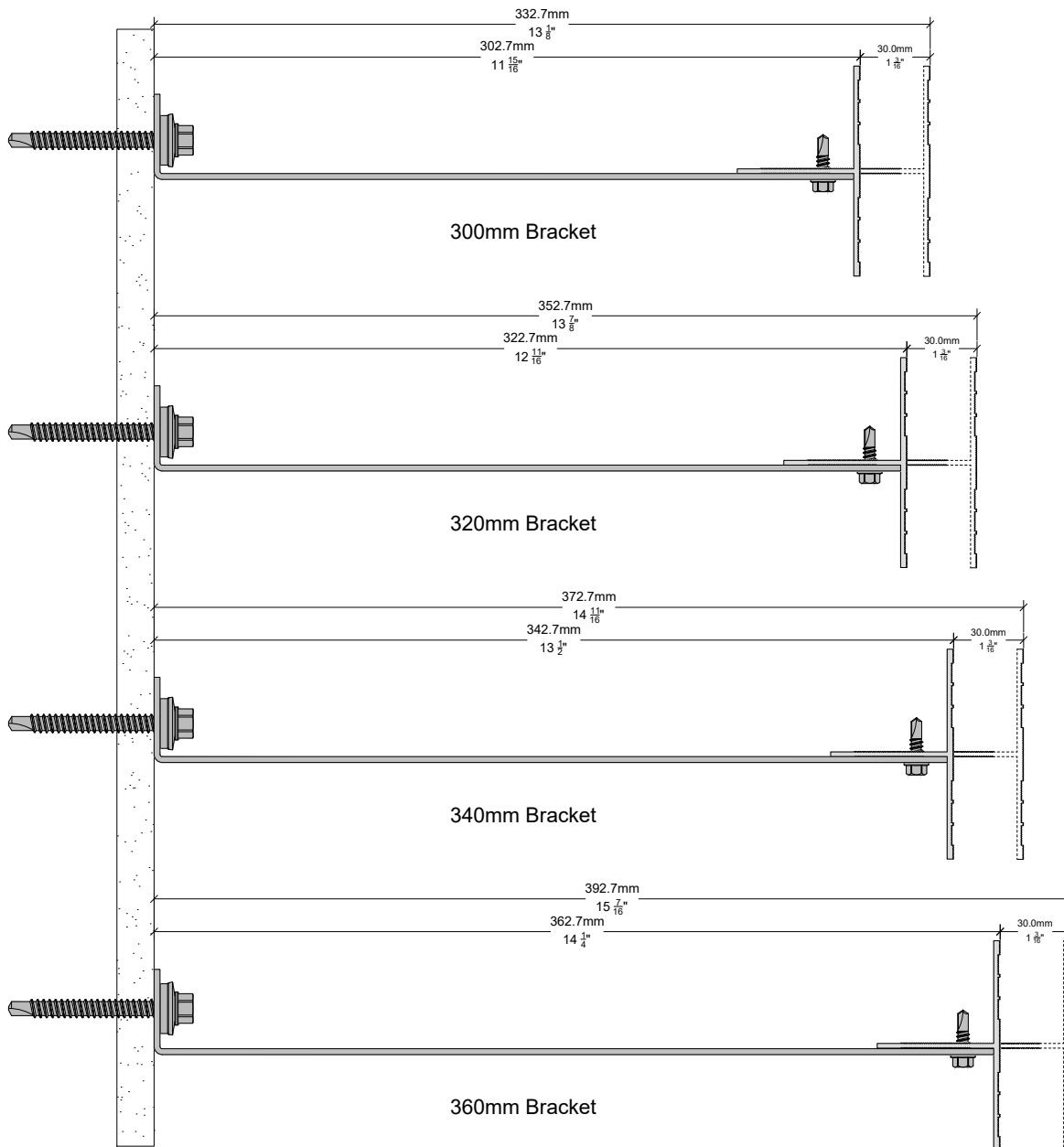
StoVentro Steel Bracket, w/o spring finger and T-Profile

Bracket Sizes: 300mm - 360mm ($11 \frac{13}{16}$ " - $14 \frac{3}{16}$ " | Typical 30mm ($1 \frac{3}{16}$ ") Adjustment Range

Section View

Date: January 2024

Detail No.: 90.Sc.010

**ATTENTION**

Sto products are intended for use by qualified professional contractors, not consumers, as a component of a larger construction assembly as specified by a qualified design professional, general contractor or builder. They should be installed in accordance with those specifications and Sto's instructions. Sto Corp. disclaims all, and assumes no, liability for on-site inspections, for its products applied improperly, or by unqualified persons or entities, or as part of an improperly designed or constructed building, for the nonperformance of adjacent building components or assemblies, or for other construction activities beyond Sto's control. Improper use of Sto products or use as part of an improperly designed or constructed larger assembly or building may result in serious damage to Sto products, and to the structure of the building or its components.

STO CORP. DISCLAIMS ALL WARRANTIES EXPRESSED OR IMPLIED EXCEPT FOR EXPLICIT LIMITED WRITTEN WARRANTIES ISSUED TO AND ACCEPTED BY BUILDING OWNERS IN ACCORDANCE WITH STO'S WARRANTY PROGRAMS WHICH ARE SUBJECT TO CHANGE FROM TIME TO TIME. For the fullest, most current information on proper application, clean-up, mixing and other specifications and warranties, cautions and disclaimers, please refer to the Sto Corp. website, www.stocorp.com.

StoVentro™ Sub-Construction System

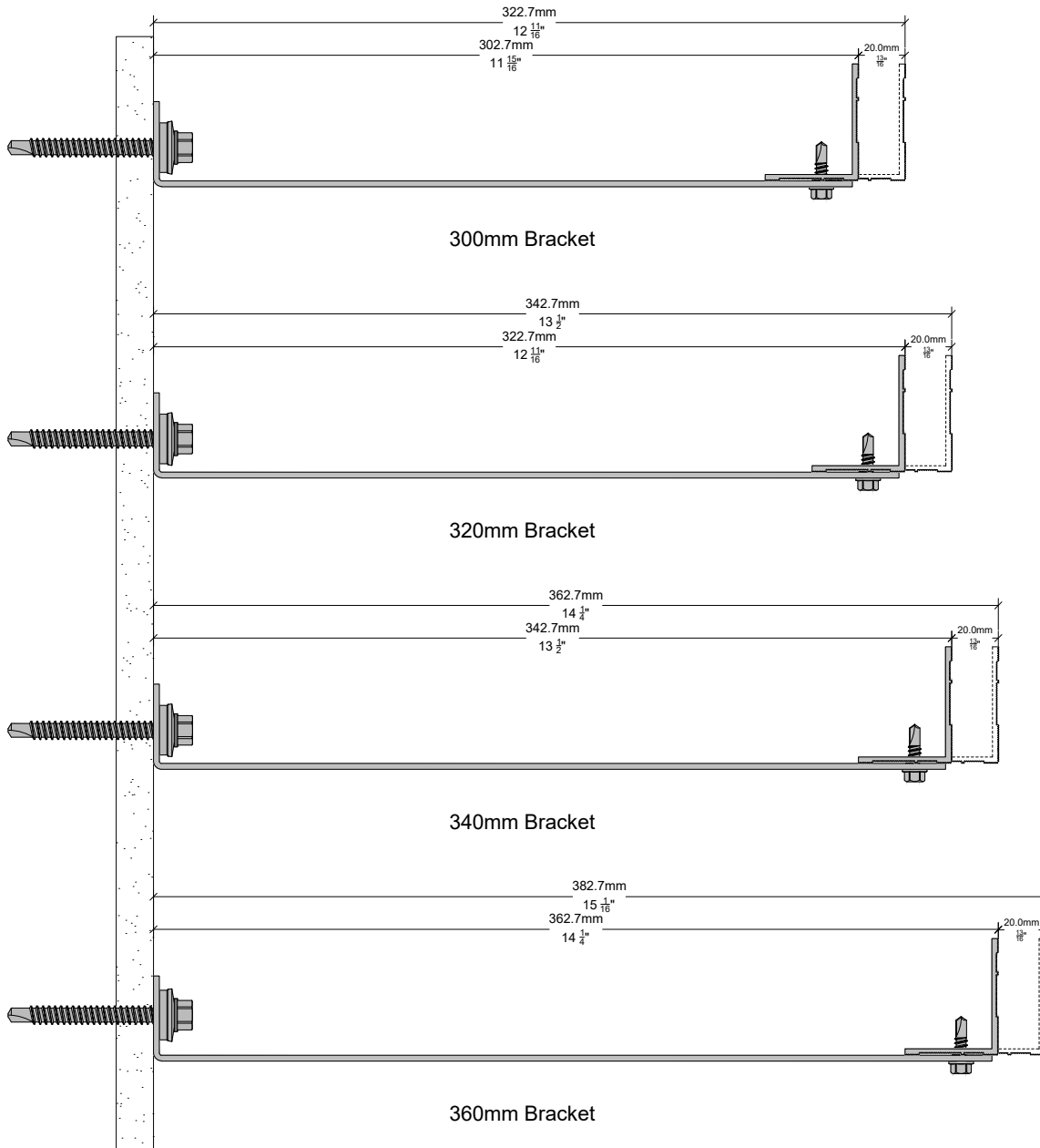
StoVentro Steel Bracket, w/o spring finger and L-Profile

Bracket Sizes: 300mm - 360mm (11 $\frac{13}{16}$ " - 14 $\frac{3}{16}$ ") | Typical 20mm ($\frac{13}{16}$ ") Adjustment Range

Section View

Date: January 2024

Detail No.: 90.Sc.010L

StoVentro L-Profile can be rotated 90 degrees to allow for a 30mm Adjustment Range**ATTENTION**

Sto products are intended for use by qualified professional contractors, not consumers, as a component of a larger construction assembly as specified by a qualified design professional, general contractor or builder. They should be installed in accordance with those specifications and Sto's instructions. Sto Corp. disclaims all, and assumes no, liability for on-site inspections, for its products applied improperly, or by unqualified persons or entities, or as part of an improperly designed or constructed building, for the nonperformance of adjacent building components or assemblies, or for other construction activities beyond Sto's control. Improper use of Sto products or use as part of an improperly designed or constructed larger assembly or building may result in serious damage to Sto products, and to the structure of the building or its components.

STO CORP. DISCLAIMS ALL WARRANTIES EXPRESSED OR IMPLIED EXCEPT FOR EXPLICIT LIMITED WRITTEN WARRANTIES ISSUED TO AND ACCEPTED BY BUILDING OWNERS IN ACCORDANCE WITH STO'S WARRANTY PROGRAMS WHICH ARE SUBJECT TO CHANGE FROM TIME TO TIME. For the fullest, most current information on proper application, clean-up, mixing and other specifications and warranties, cautions and disclaimers, please refer to the Sto Corp. website, www.stocorp.com.

StoVentro™ Sub-Construction System

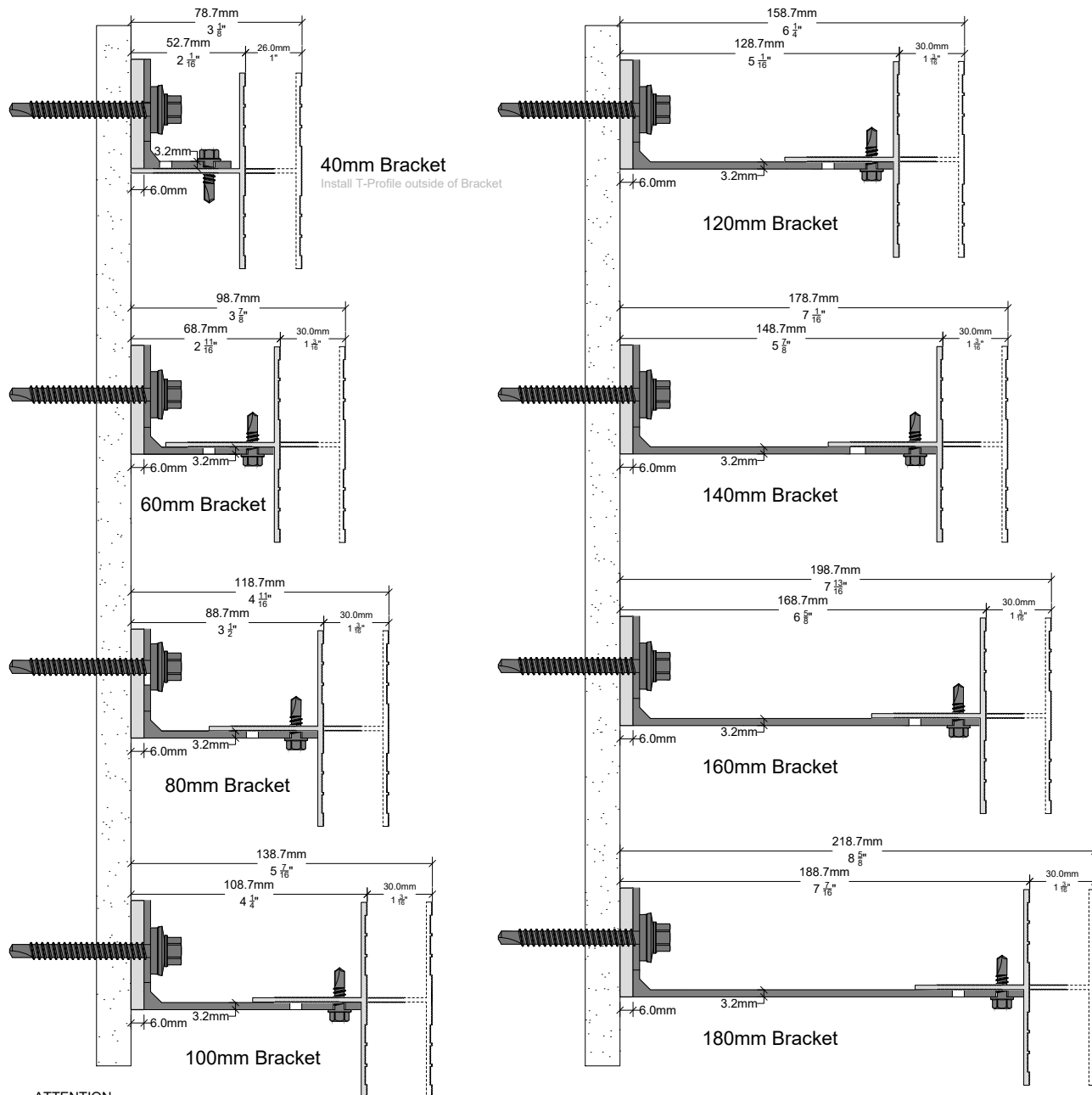
StoVentro Aluminum Bracket with Thermal Block Element and T-Profile

Bracket Sizes: 40mm - 180mm (1 $\frac{9}{16}$ " - 7 $\frac{1}{16}$ ") | Typical 30mm (1 $\frac{3}{16}$ ") Adjustment Range

Section View

Date: May 2021

Detail No.: 90.Sc.011



ATTENTION

Sto products are intended for use by qualified professional contractors, not consumers, as a component of a larger construction assembly as specified by a qualified design professional, general contractor or builder. They should be installed in accordance with those specifications and Sto's instructions. Sto Corp. disclaims all, and assumes no, liability for on-site inspections, for its products applied improperly, or by unqualified persons or entities, or as part of an improperly designed or constructed building, for the nonperformance of adjacent building components or assemblies, or for other construction activities beyond Sto's control. Improper use of Sto products or use as part of an improperly designed or constructed larger assembly or building may result in serious damage to Sto products, and to the structure of the building or its components.

STO CORP. DISCLAIMS ALL WARRANTIES EXPRESSED OR IMPLIED EXCEPT FOR EXPLICIT LIMITED WRITTEN WARRANTIES ISSUED TO AND ACCEPTED BY BUILDING OWNERS IN ACCORDANCE WITH STO'S WARRANTY PROGRAMS WHICH ARE SUBJECT TO CHANGE FROM TIME TO TIME. For the fullest, most current information on proper application, clean-up, mixing and other specifications and warranties, cautions and disclaimers, please refer to the Sto Corp. website, www.stocorp.com.

StoVentro™ Sub-Construction System

StoVentro Aluminum Bracket with Thermal Block Element and L-Profile

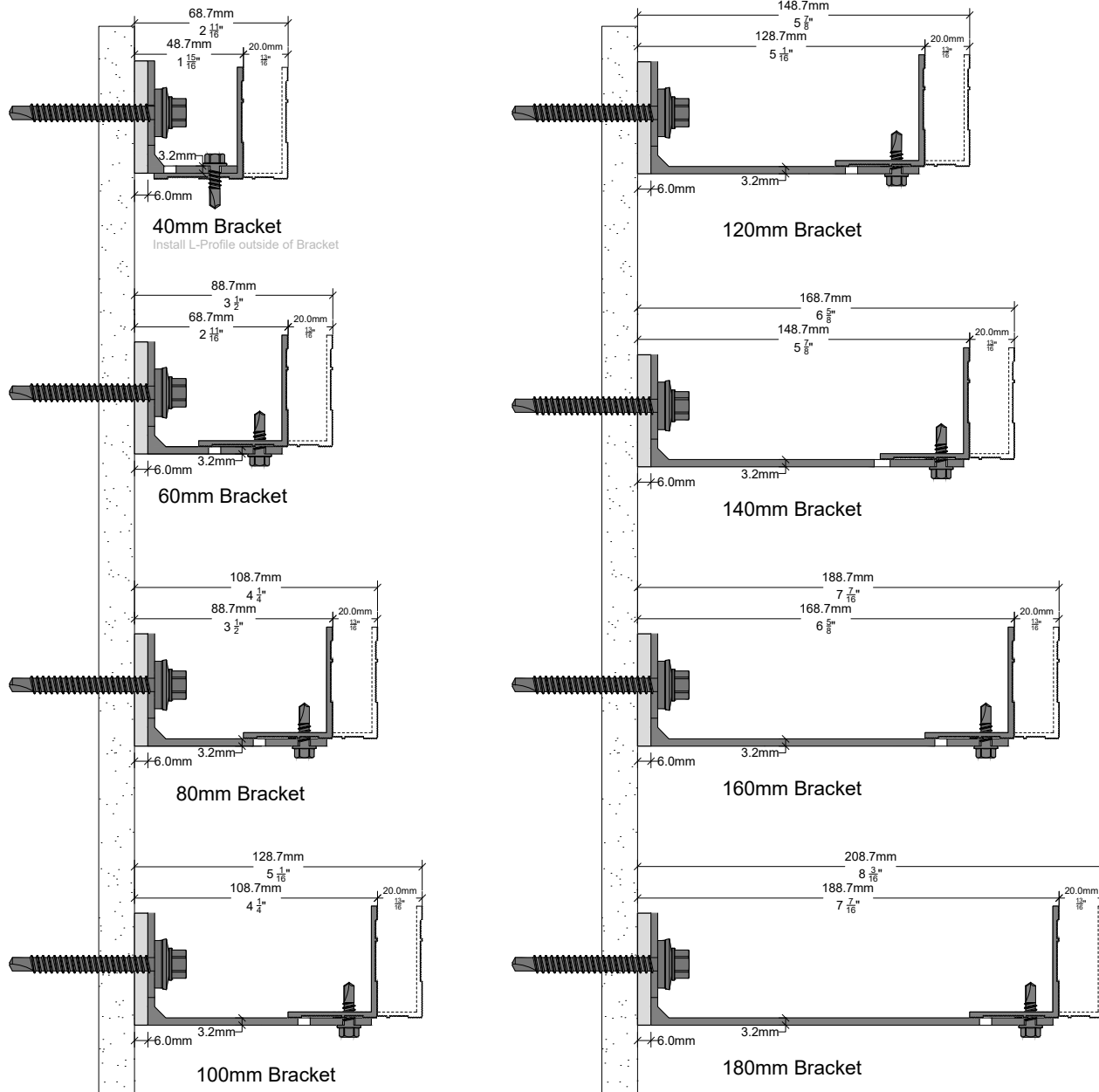
Bracket Sizes: 40mm - 180mm (1 $\frac{9}{16}$ " - 7 $\frac{1}{16}$ ") | Typical 20mm ($\frac{13}{16}$ ") Adjustment Range

Section View

Date: May 2021

Detail No.: 90.Sc.011L

StoVentro L-Profile can be rotated 90 degrees to allow for a 30mm Adjustment Range



ATTENTION

Sto products are intended for use by qualified professional contractors, not consumers, as a component of a larger construction assembly as specified by a qualified design professional, general contractor or builder. They should be installed in accordance with those specifications and Sto's instructions. Sto Corp. disclaims all, and assumes no, liability for on-site inspections, for its products applied improperly, or by unqualified persons or entities, or as part of an improperly designed or constructed building, for the nonperformance of adjacent building components or assemblies, or for other construction activities beyond Sto's control. Improper use of Sto products or use as part of an improperly designed or constructed larger assembly or building may result in serious damage to Sto products, and to the structure of the building or its components.

STO CORP. DISCLAIMS ALL WARRANTIES EXPRESSED OR IMPLIED EXCEPT FOR EXPLICIT LIMITED WRITTEN WARRANTIES ISSUED TO AND ACCEPTED BY BUILDING OWNERS IN ACCORDANCE WITH STO'S WARRANTY PROGRAMS WHICH ARE SUBJECT TO CHANGE FROM TIME TO TIME. For the fullest, most current information on proper application, clean-up, mixing and other specifications and warranties, cautions and disclaimers, please refer to the Sto Corp. website, www.stocorp.com.

StoVentro™ Sub-Construction System

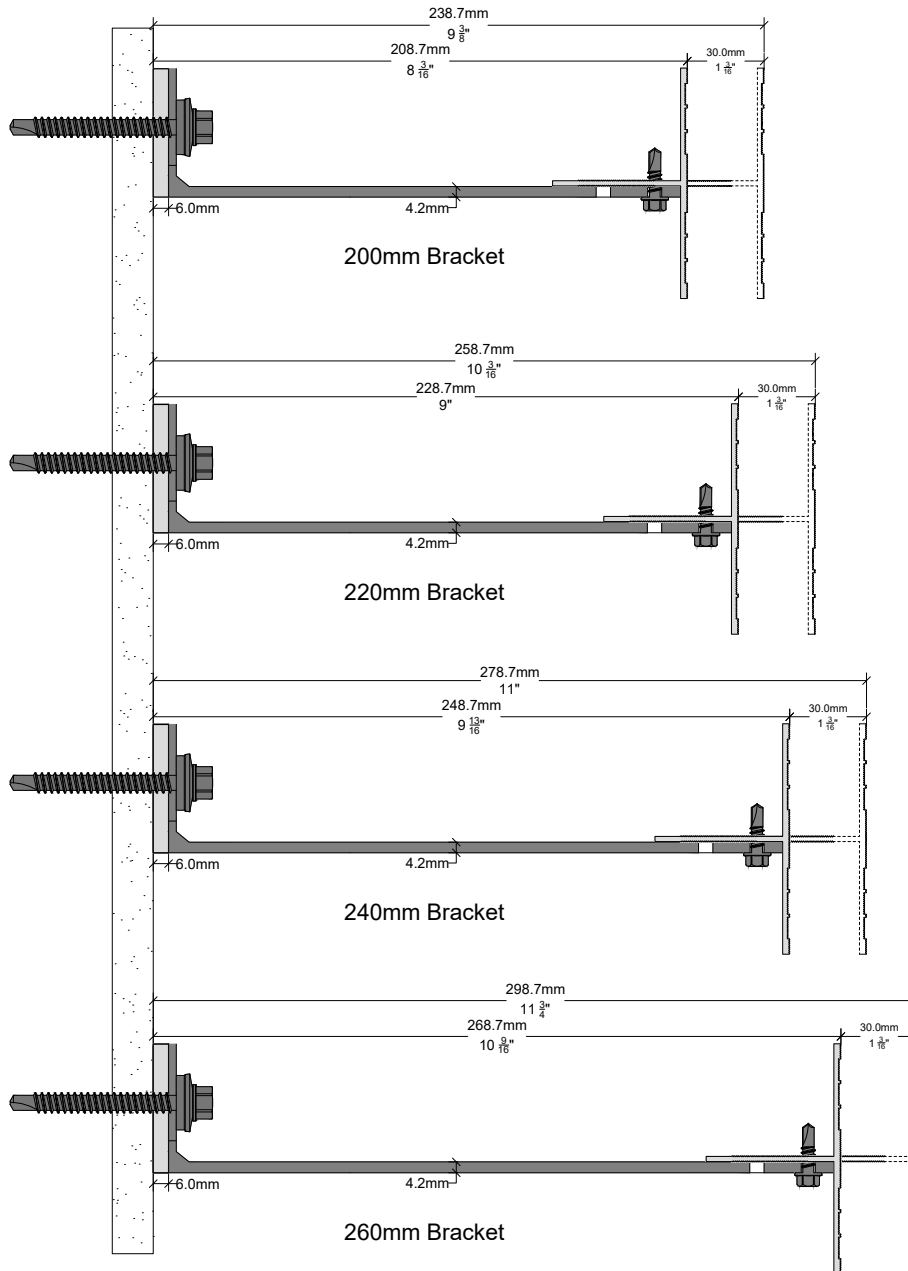
StoVentro Aluminum Bracket with Thermal Block Element and T-Profile

Bracket Sizes: 200mm - 260mm (7 $\frac{7}{8}$ " - 10 $\frac{1}{4}$ ") | Typical 30mm (1 $\frac{3}{16}$ ") Adjustment Range

Section View

Date: May 2021

Detail No.: 90.Sc.012



ATTENTION

Sto products are intended for use by qualified professional contractors, not consumers, as a component of a larger construction assembly as specified by a qualified design professional, general contractor or builder. They should be installed in accordance with those specifications and Sto's instructions. Sto Corp. disclaims all, and assumes no, liability for on-site inspections, for its products applied improperly, or by unqualified persons or entities, or as part of an improperly designed or constructed building, for the nonperformance of adjacent building components or assemblies, or for other construction activities beyond Sto's control. Improper use of Sto products or use as part of an improperly designed or constructed larger assembly or building may result in serious damage to Sto products, and to the structure of the building or its components.

STO CORP. DISCLAIMS ALL WARRANTIES EXPRESSED OR IMPLIED EXCEPT FOR EXPLICIT LIMITED WRITTEN WARRANTIES ISSUED TO AND ACCEPTED BY BUILDING OWNERS IN ACCORDANCE WITH STO'S WARRANTY PROGRAMS WHICH ARE SUBJECT TO CHANGE FROM TIME TO TIME. For the fullest, most current information on proper application, clean-up, mixing and other specifications and warranties, cautions and disclaimers, please refer to the Sto Corp. website, www.stocorp.com.

StoVentro™ Sub-Construction System

StoVentro Aluminum Bracket with Thermal Block Element and L-Profile

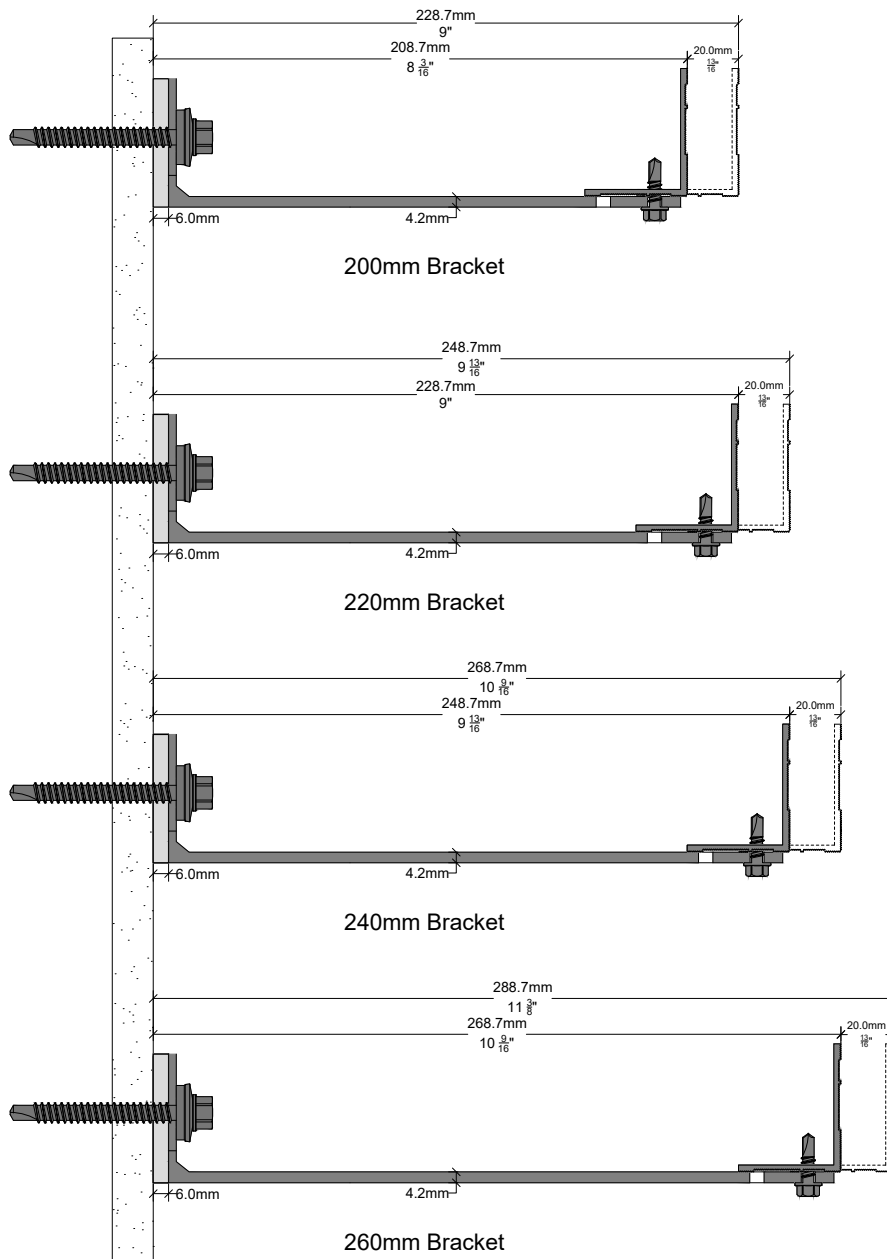
Bracket Sizes: 200mm - 260mm (7 ⁷/₈" - 10 ¹/₄") | Typical 20mm (¹³/₁₆") Adjustment Range

Section View

Date: May 2021

Detail No.: 90.Sc.012L

StoVentro L-Profile can be rotated 90 degrees to allow for a 30mm Adjustment Range



ATTENTION

Sto products are intended for use by qualified professional contractors, not consumers, as a component of a larger construction assembly as specified by a qualified design professional, general contractor or builder. They should be installed in accordance with those specifications and Sto's instructions. Sto Corp. disclaims all, and assumes no, liability for on-site inspections, for its products applied improperly, or by unqualified persons or entities, or as part of an improperly designed or constructed building, for the nonperformance of adjacent building components or assemblies, or for other construction activities beyond Sto's control. Improper use of Sto products or use as part of an improperly designed or constructed larger assembly or building may result in serious damage to Sto products, and to the structure of the building or its components.

STO CORP. DISCLAIMS ALL WARRANTIES EXPRESSED OR IMPLIED EXCEPT FOR EXPLICIT LIMITED WRITTEN WARRANTIES ISSUED TO AND ACCEPTED BY BUILDING OWNERS IN ACCORDANCE WITH STO'S WARRANTY PROGRAMS WHICH ARE SUBJECT TO CHANGE FROM TIME TO TIME. For the fullest, most current information on proper application, clean-up, mixing and other specifications and warranties, cautions and disclaimers, please refer to the Sto Corp. website, www.stocorp.com.

StoVentro™ Sub-Construction System

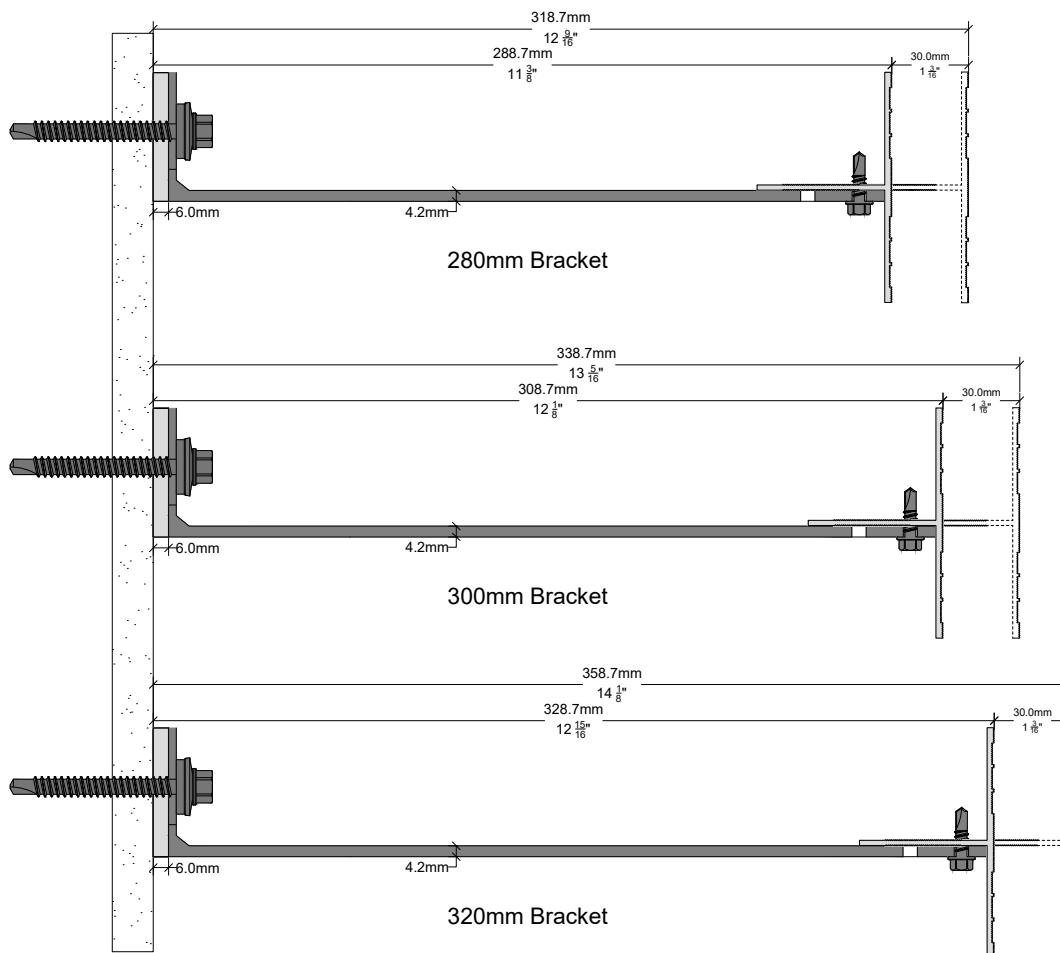
StoVentro Aluminum Bracket with Thermal Block Element and T-Profile

Bracket Sizes: 280mm - 320mm (11" - 12⁵/₈") | Typical 30mm (1³/₁₆") Adjustment Range

Section View

Date: May 2021

Detail No.: 90.Sc.013



ATTENTION

Sto products are intended for use by qualified professional contractors, not consumers, as a component of a larger construction assembly as specified by a qualified design professional, general contractor or builder. They should be installed in accordance with those specifications and Sto's instructions. Sto Corp. disclaims all, and assumes no, liability for on-site inspections, for its products applied improperly, or by unqualified persons or entities, or as part of an improperly designed or constructed building, for the nonperformance of adjacent building components or assemblies, or for other construction activities beyond Sto's control. Improper use of Sto products or use as part of an improperly designed or constructed larger assembly or building may result in serious damage to Sto products, and to the structure of the building or its components.

STO CORP. DISCLAIMS ALL WARRANTIES EXPRESSED OR IMPLIED EXCEPT FOR EXPLICIT LIMITED WRITTEN WARRANTIES ISSUED TO AND ACCEPTED BY BUILDING OWNERS IN ACCORDANCE WITH STO'S WARRANTY PROGRAMS WHICH ARE SUBJECT TO CHANGE FROM TIME TO TIME. For the fullest, most current information on proper application, clean-up, mixing and other specifications and warranties, cautions and disclaimers, please refer to the Sto Corp. website, www.stocorp.com.

StoVentro™ Sub-Construction System

StoVentro Aluminum Bracket with Thermal Block Element and L-Profile

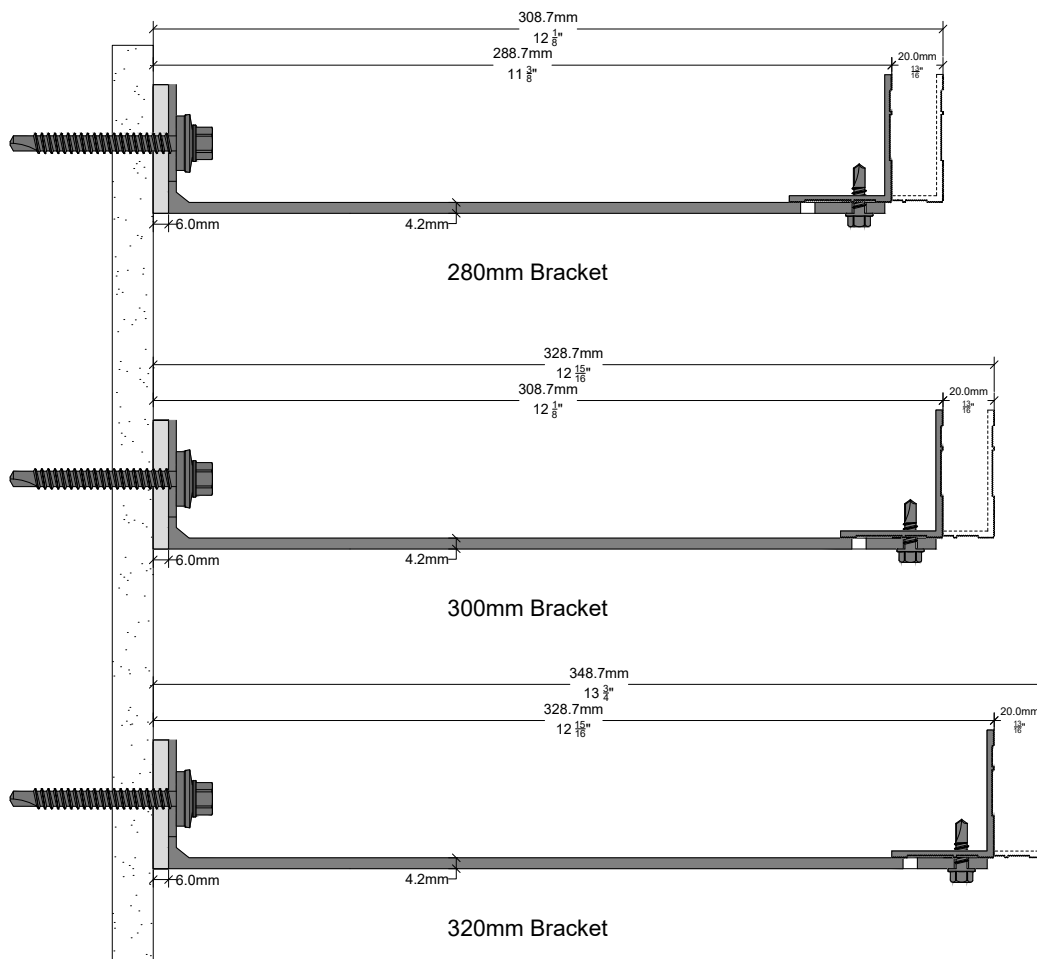
Bracket Sizes: 280mm - 320mm (11" - 12 $\frac{5}{8}$ ") | Typical 20mm ($\frac{13}{16}$ ") Adjustment Range

Section View

Date: May 2021

Detail No.: 90.Sc.013L

StoVentro L-Profile can be rotated 90 degrees to allow for a 30mm Adjustment Range



ATTENTION

Sto products are intended for use by qualified professional contractors, not consumers, as a component of a larger construction assembly as specified by a qualified design professional, general contractor or builder. They should be installed in accordance with those specifications and Sto's instructions. Sto Corp. disclaims all, and assumes no, liability for on-site inspections, for its products applied improperly, or by unqualified persons or entities, or as part of an improperly designed or constructed building, for the nonperformance of adjacent building components or assemblies, or for other construction activities beyond Sto's control. Improper use of Sto products or use as part of an improperly designed or constructed larger assembly or building may result in serious damage to Sto products, and to the structure of the building or its components.

STO CORP. DISCLAIMS ALL WARRANTIES EXPRESSED OR IMPLIED EXCEPT FOR EXPLICIT LIMITED WRITTEN WARRANTIES ISSUED TO AND ACCEPTED BY BUILDING OWNERS IN ACCORDANCE WITH STO'S WARRANTY PROGRAMS WHICH ARE SUBJECT TO CHANGE FROM TIME TO TIME. For the fullest, most current information on proper application, clean-up, mixing and other specifications and warranties, cautions and disclaimers, please refer to the Sto Corp. website, www.stocorp.com.

StoVentro™ Sub-Construction System

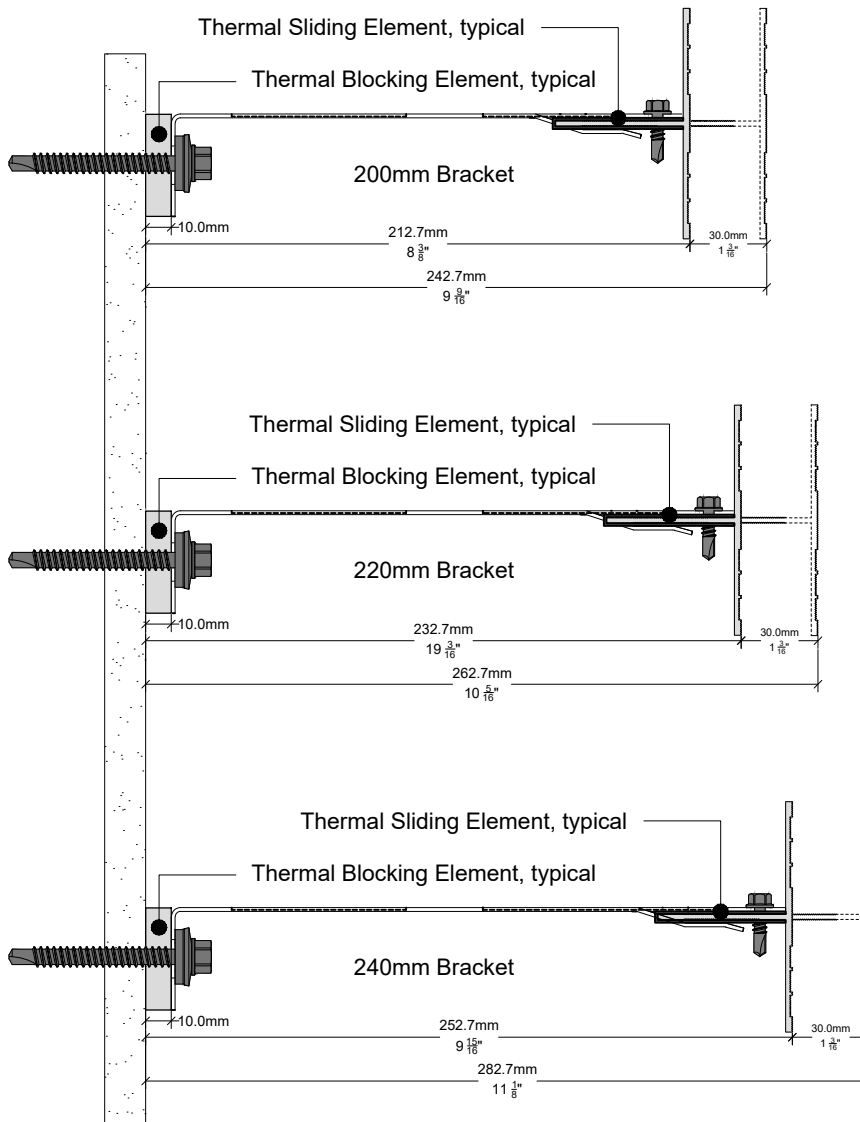
StoVentro Passive House Bracket with Thermal Blocking Elements

Bracket Sizes: 200mm - 240mm ($7\frac{7}{8}"$ - $9\frac{7}{16}"$) | Typical 30mm ($1\frac{3}{16}"$) Adjustment Range

Section View

Date: May 2021

Detail No.: 90.Sc.014



ATTENTION

Sto products are intended for use by qualified professional contractors, not consumers, as a component of a larger construction assembly as specified by a qualified design professional, general contractor or builder. They should be installed in accordance with those specifications and Sto's instructions. Sto Corp. disclaims all, and assumes no, liability for on-site inspections, for its products applied improperly, or by unqualified persons or entities, or as part of an improperly designed or constructed building, for the nonperformance of adjacent building components or assemblies, or for other construction activities beyond Sto's control. Improper use of Sto products or use as part of an improperly designed or constructed larger assembly or building may result in serious damage to Sto products, and to the structure of the building or its components.

STO CORP. DISCLAIMS ALL WARRANTIES EXPRESSED OR IMPLIED EXCEPT FOR EXPLICIT LIMITED WRITTEN WARRANTIES ISSUED TO AND ACCEPTED BY BUILDING OWNERS IN ACCORDANCE WITH STO'S WARRANTY PROGRAMS WHICH ARE SUBJECT TO CHANGE FROM TIME TO TIME. For the fullest, most current information on proper application, clean-up, mixing and other specifications and warranties, cautions and disclaimers, please refer to the Sto Corp. website, www.stocorp.com.

StoVentro™ Sub-Construction System

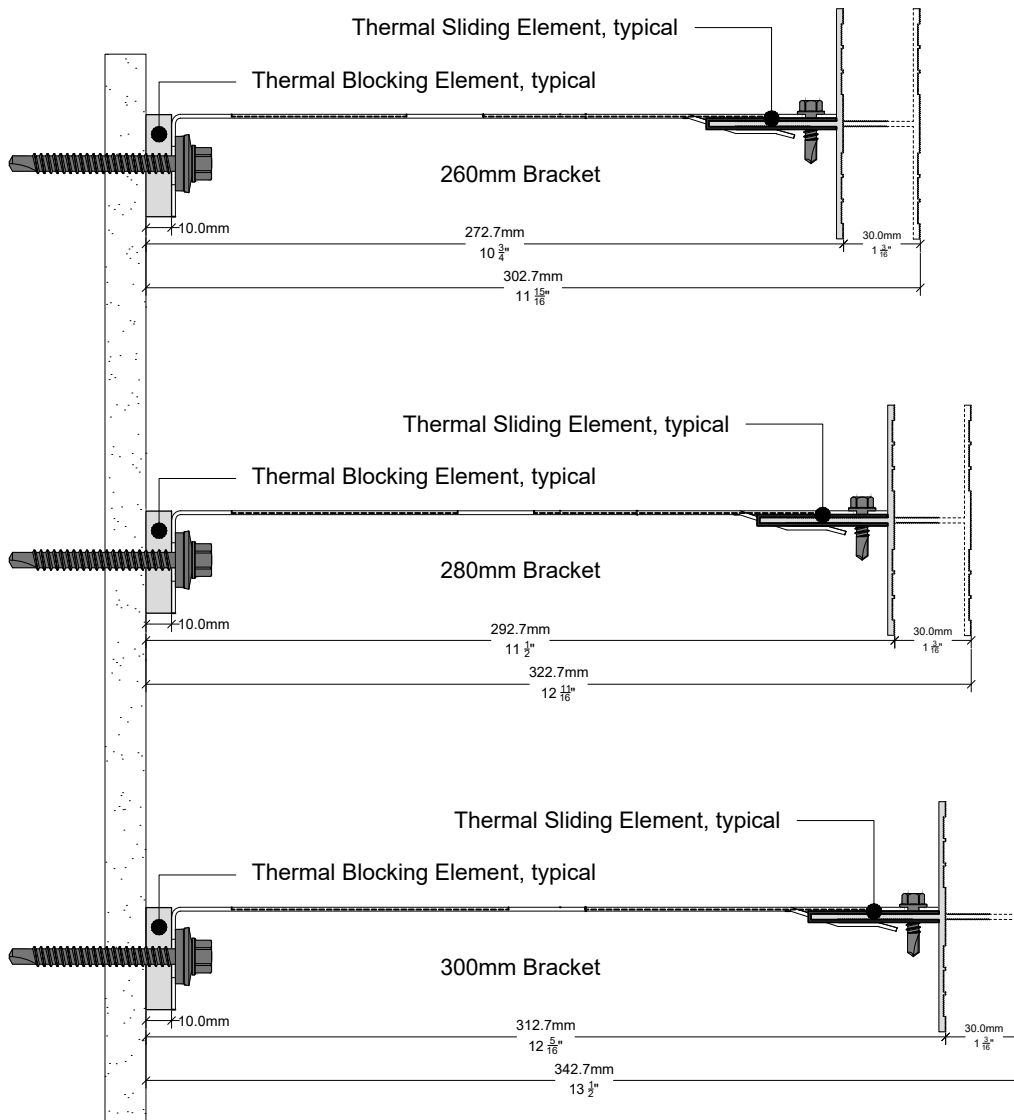
StoVentro Passive House Bracket with Thermal Blocking Elements

Bracket Sizes: 260mm - 300mm (10 $\frac{1}{4}$ " - 11 $\frac{13}{16}$ ") | Typical 30mm (1 $\frac{3}{16}$ ") Adjustment Range

Section View

Date: May 2021

Detail No.: 90.Sc.015

**ATTENTION**

Sto products are intended for use by qualified professional contractors, not consumers, as a component of a larger construction assembly as specified by a qualified design professional, general contractor or builder. They should be installed in accordance with those specifications and Sto's instructions. Sto Corp. disclaims all, and assumes no, liability for on-site inspections, for its products applied improperly, or by unqualified persons or entities, or as part of an improperly designed or constructed building, for the nonperformance of adjacent building components or assemblies, or for other construction activities beyond Sto's control. Improper use of Sto products or use as part of an improperly designed or constructed larger assembly or building may result in serious damage to Sto products, and to the structure of the building or its components.

STO CORP. DISCLAIMS ALL WARRANTIES EXPRESSED OR IMPLIED EXCEPT FOR EXPLICIT LIMITED WRITTEN WARRANTIES ISSUED TO AND ACCEPTED BY BUILDING OWNERS IN ACCORDANCE WITH STO'S WARRANTY PROGRAMS WHICH ARE SUBJECT TO CHANGE FROM TIME TO TIME. For the fullest, most current information on proper application, clean-up, mixing and other specifications and warranties, cautions and disclaimers, please refer to the Sto Corp. website, www.stocorp.com.

StoVentro™ Sub-Construction System

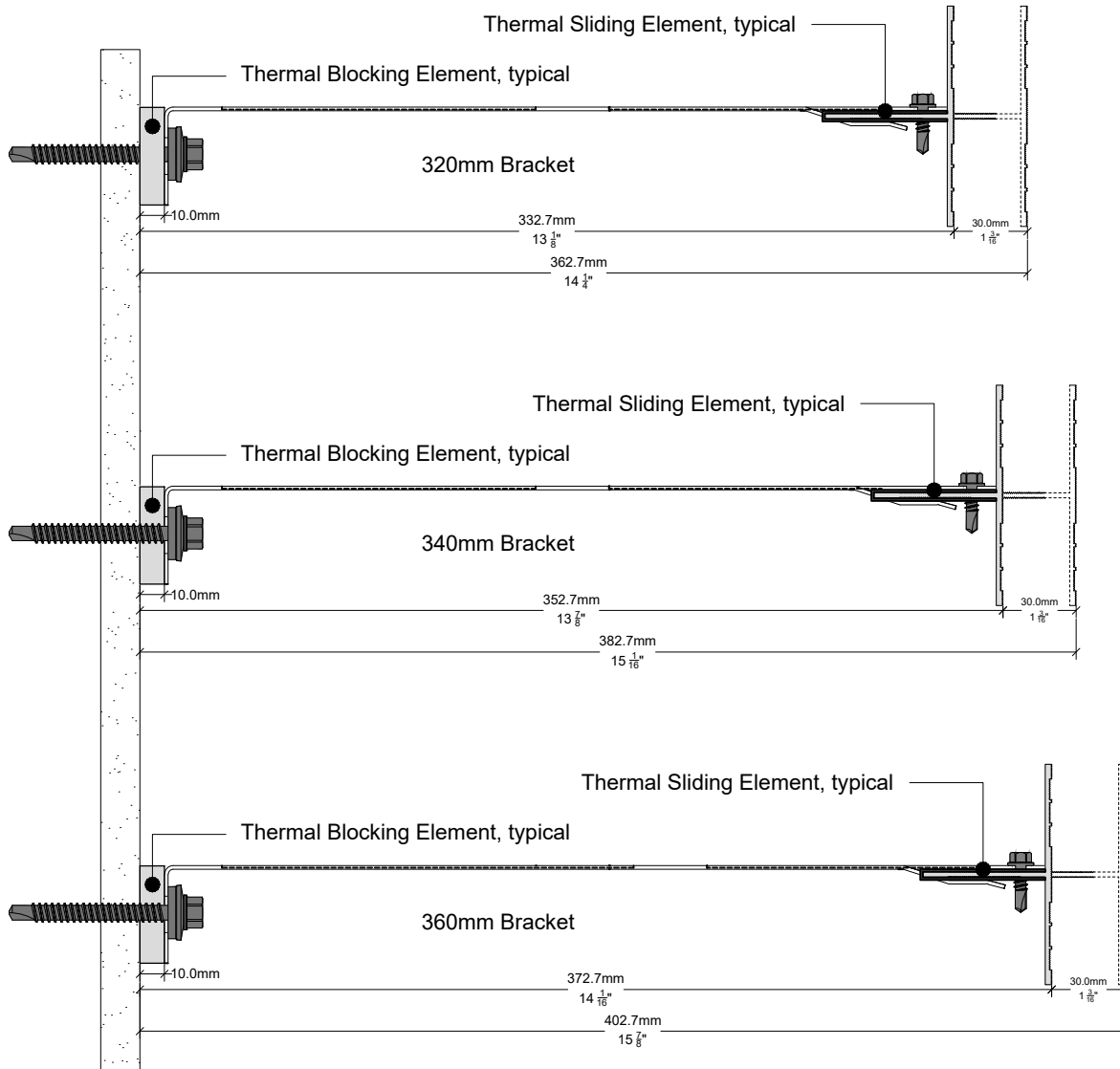
StoVentro Passive House Bracket with Thermal Blocking Elements

Bracket Sizes: 320mm - 360mm (12 $\frac{5}{8}$ " - 14 $\frac{3}{16}$ ") | Typical 30mm (1 $\frac{3}{16}$ ") Adjustment Range

Section View

Date: May 2021

Detail No.: 90.Sc.016



ATTENTION

Sto products are intended for use by qualified professional contractors, not consumers, as a component of a larger construction assembly as specified by a qualified design professional, general contractor or builder. They should be installed in accordance with those specifications and Sto's instructions. Sto Corp. disclaims all, and assumes no, liability for on-site inspections, for its products applied improperly, or by unqualified persons or entities, or as part of an improperly designed or constructed building, for the nonperformance of adjacent building components or assemblies, or for other construction activities beyond Sto's control. Improper use of Sto products or use as part of an improperly designed or constructed larger assembly or building may result in serious damage to Sto products, and to the structure of the building or its components.

STO CORP. DISCLAIMS ALL WARRANTIES EXPRESSED OR IMPLIED EXCEPT FOR EXPLICIT LIMITED WRITTEN WARRANTIES ISSUED TO AND ACCEPTED BY BUILDING OWNERS IN ACCORDANCE WITH STO'S WARRANTY PROGRAMS WHICH ARE SUBJECT TO CHANGE FROM TIME TO TIME. For the fullest, most current information on proper application, clean-up, mixing and other specifications and warranties, cautions and disclaimers, please refer to the Sto Corp. website, www.stocorp.com.

StoVentro™ Sub-Construction System

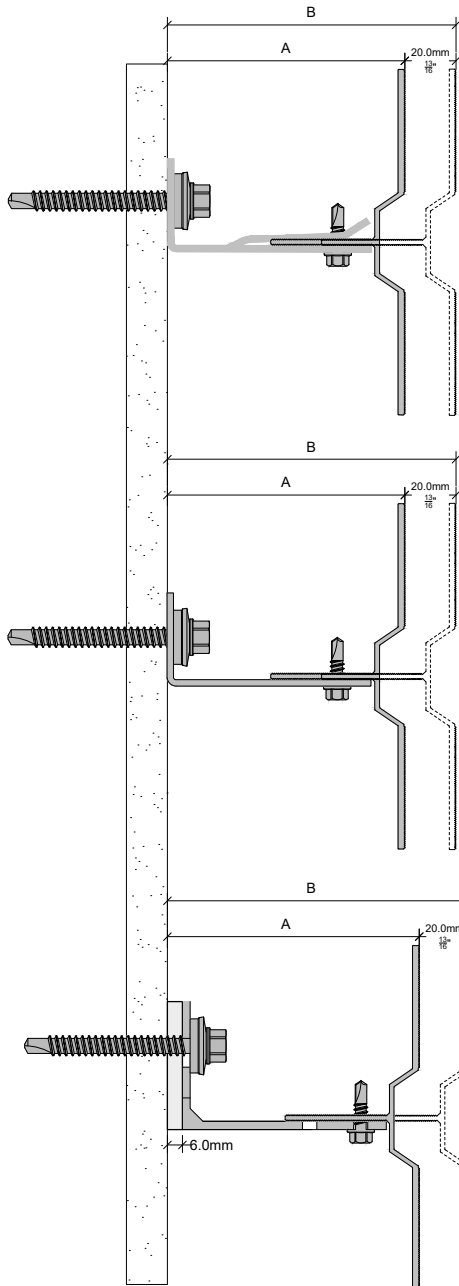
StoVentro Gullwing T-Profile Installation

Typical 20mm ($\frac{13}{16}$ ") Adjustment Range

Section View

Date: January 2024

Detail No.: 90.Sc.017

**StoVentro Gullwing T-Profile and Steel Bracket w/ spring finger**

Minimum Distance of A	93mm ($3\frac{11}{16}$ ")
Maximum Distance of A	373mm ($14\frac{11}{16}$ ")
Minimum Distance of B	113mm ($4\frac{7}{16}$ ")
Maximum Distance of B	393mm ($15\frac{1}{2}$ ")

StoVentro Gullwing T-Profile and Steel Bracket w/o spring finger

Minimum Distance of A	53mm ($2\frac{1}{16}$ ")
Maximum Distance of A	373mm ($14\frac{11}{16}$ ")
Minimum Distance of B	73mm ($2\frac{7}{8}$ ")
Maximum Distance of B	393mm ($15\frac{1}{2}$ ")

StoVentro Gullwing T-Profile and ALUM Bracket w/ Thermal Blocking Element

Minimum Distance of A	59mm ($2\frac{5}{16}$ ")
Maximum Distance of A	339mm ($13\frac{3}{8}$ ")
Minimum Distance of B	79mm ($3\frac{1}{8}$ ")
Maximum Distance of B	359mm ($14\frac{1}{8}$ ")

ATTENTION

Sto products are intended for use by qualified professional contractors, not consumers, as a component of a larger construction assembly as specified by a qualified design professional, general contractor or builder. They should be installed in accordance with those specifications and Sto's instructions. Sto Corp. disclaims all, and assumes no, liability for on-site inspections, for its products applied improperly, or by unqualified persons or entities, or as part of an improperly designed or constructed building, for the nonperformance of adjacent building components or assemblies, or for other construction activities beyond Sto's control. Improper use of Sto products or use as part of an improperly designed or constructed larger assembly or building may result in serious damage to Sto products, and to the structure of the building or its components.

STO CORP. DISCLAIMS ALL WARRANTIES EXPRESSED OR IMPLIED EXCEPT FOR EXPLICIT LIMITED WRITTEN WARRANTIES ISSUED TO AND ACCEPTED BY BUILDING OWNERS IN ACCORDANCE WITH STO'S WARRANTY PROGRAMS WHICH ARE SUBJECT TO CHANGE FROM TIME TO TIME. For the fullest, most current information on proper application, clean-up, mixing and other specifications and warranties, cautions and disclaimers, please refer to the Sto Corp. website, www.stocorp.com.

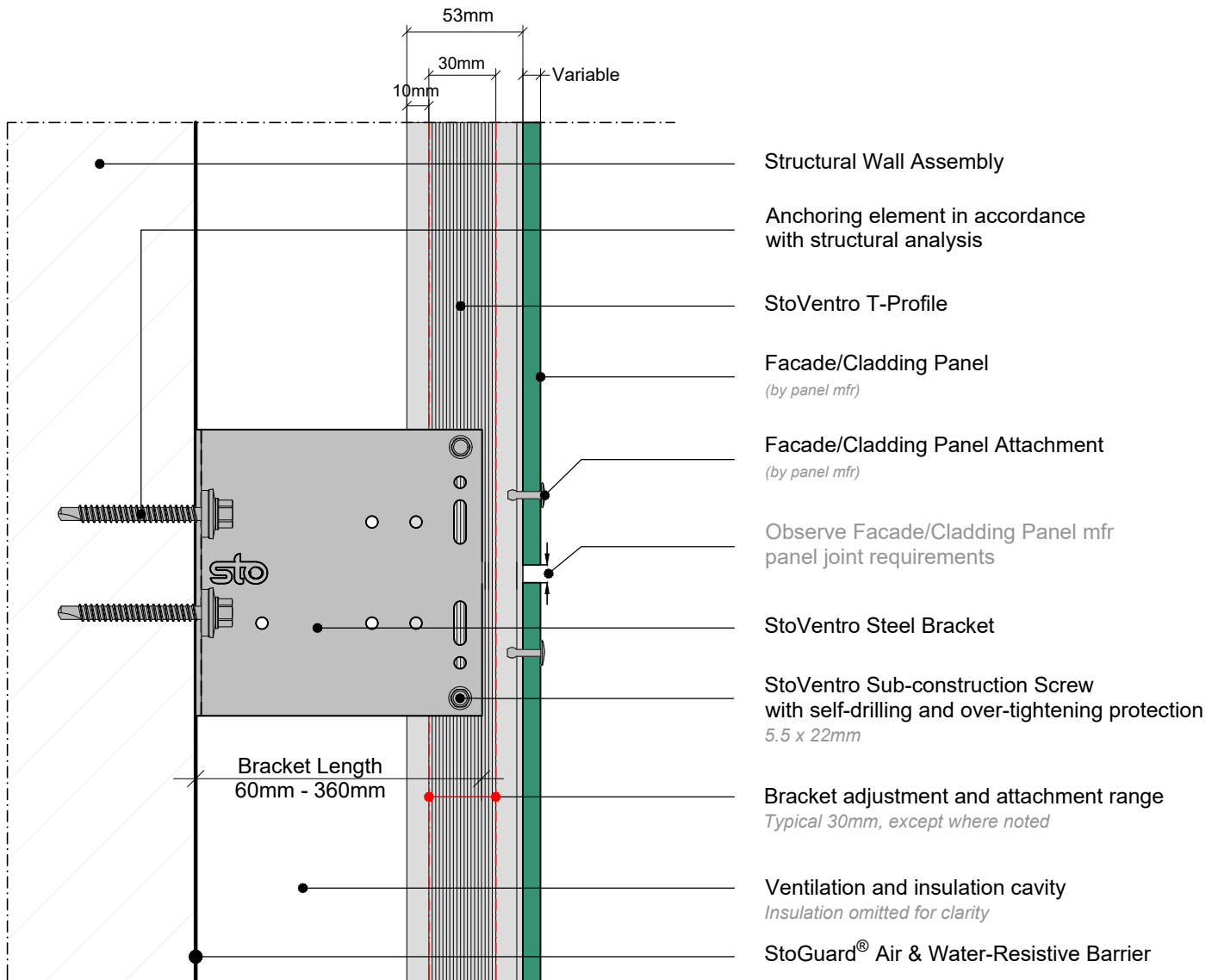
StoVentro™ Sub-Construction System

System buildup with steel brackets and face fastened facade panel

Section View

Date: January 2024

Detail No.: 90.Sc.020



ATTENTION

Sto products are intended for use by qualified professional contractors, not consumers, as a component of a larger construction assembly as specified by a qualified design professional, general contractor or builder. They should be installed in accordance with those specifications and Sto's instructions. Sto Corp. disclaims all, and assumes no, liability for on-site inspections, for its products applied improperly, or by unqualified persons or entities, or as part of an improperly designed or constructed building, for the nonperformance of adjacent building components or assemblies, or for other construction activities beyond Sto's control. Improper use of Sto products or use as part of an improperly designed or constructed larger assembly or building may result in serious damage to Sto products, and to the structure of the building or its components.

STO CORP. DISCLAIMS ALL WARRANTIES EXPRESSED OR IMPLIED EXCEPT FOR EXPLICIT LIMITED WRITTEN WARRANTIES ISSUED TO AND ACCEPTED BY BUILDING OWNERS IN ACCORDANCE WITH STO'S WARRANTY PROGRAMS WHICH ARE SUBJECT TO CHANGE FROM TIME TO TIME. For the fullest, most current information on proper application, clean-up, mixing and other specifications and warranties, cautions and disclaimers, please refer to the Sto Corp. website, www.stocorp.com.

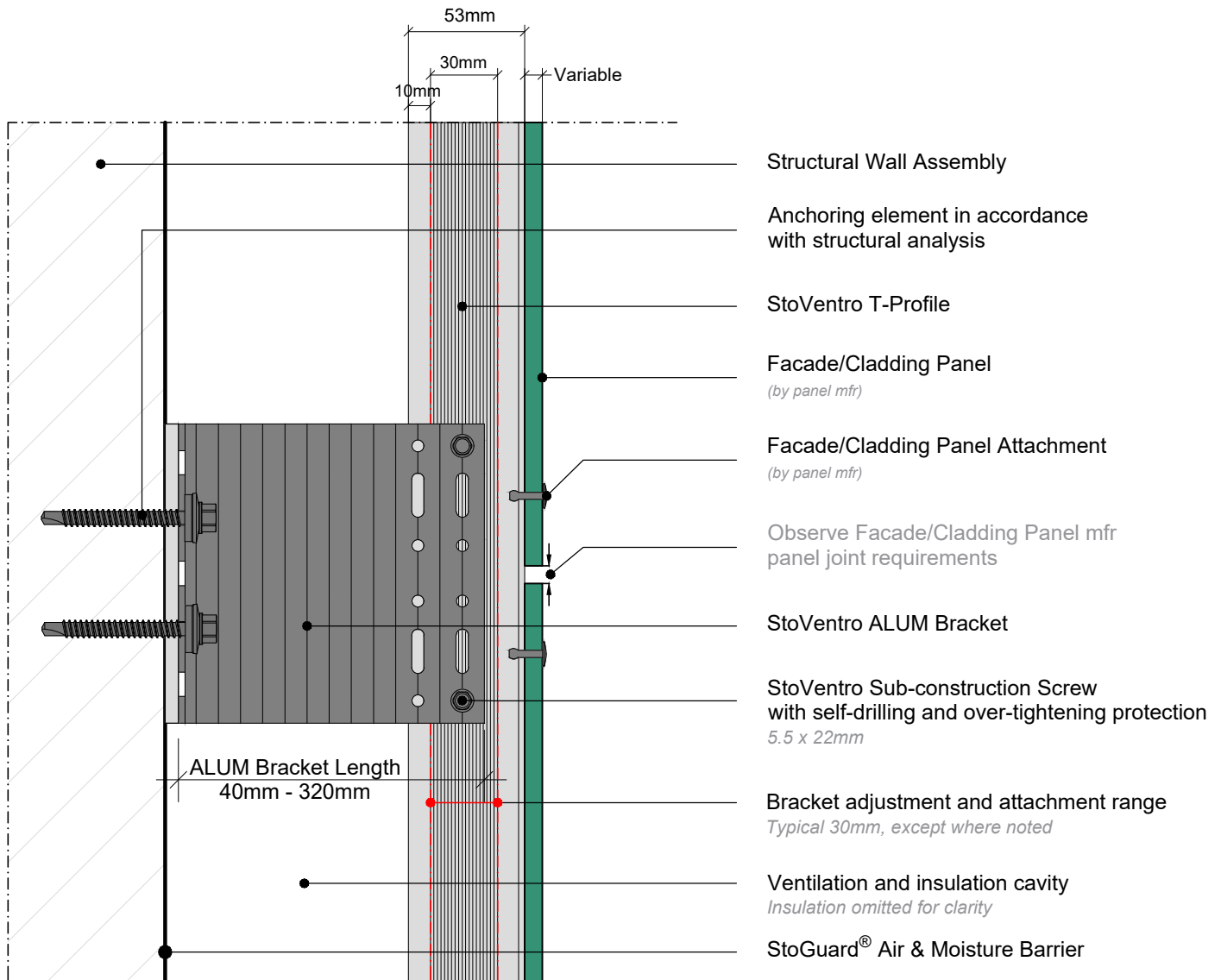
StoVentro™ Sub-Construction System

System buildup with Face Fastened Facade Panel
Aluminum Brackets with Thermal Blocking Element

Section View

Date: May 2021

Detail No.: 90.Sc.021



ATTENTION

Sto products are intended for use by qualified professional contractors, not consumers, as a component of a larger construction assembly as specified by a qualified design professional, general contractor or builder. They should be installed in accordance with those specifications and Sto's instructions. Sto Corp. disclaims all, and assumes no, liability for on-site inspections, for its products applied improperly, or by unqualified persons or entities, or as part of an improperly designed or constructed building, for the nonperformance of adjacent building components or assemblies, or for other construction activities beyond Sto's control. Improper use of Sto products or use as part of an improperly designed or constructed larger assembly or building may result in serious damage to Sto products, and to the structure of the building or its components.

STO CORP. DISCLAIMS ALL WARRANTIES EXPRESSED OR IMPLIED EXCEPT FOR EXPLICIT LIMITED WRITTEN WARRANTIES ISSUED TO AND ACCEPTED BY BUILDING OWNERS IN ACCORDANCE WITH STO'S WARRANTY PROGRAMS WHICH ARE SUBJECT TO CHANGE FROM TIME TO TIME. For the fullest, most current information on proper application, clean-up, mixing and other specifications and warranties, cautions and disclaimers, please refer to the Sto Corp. website, www.stocorp.com.

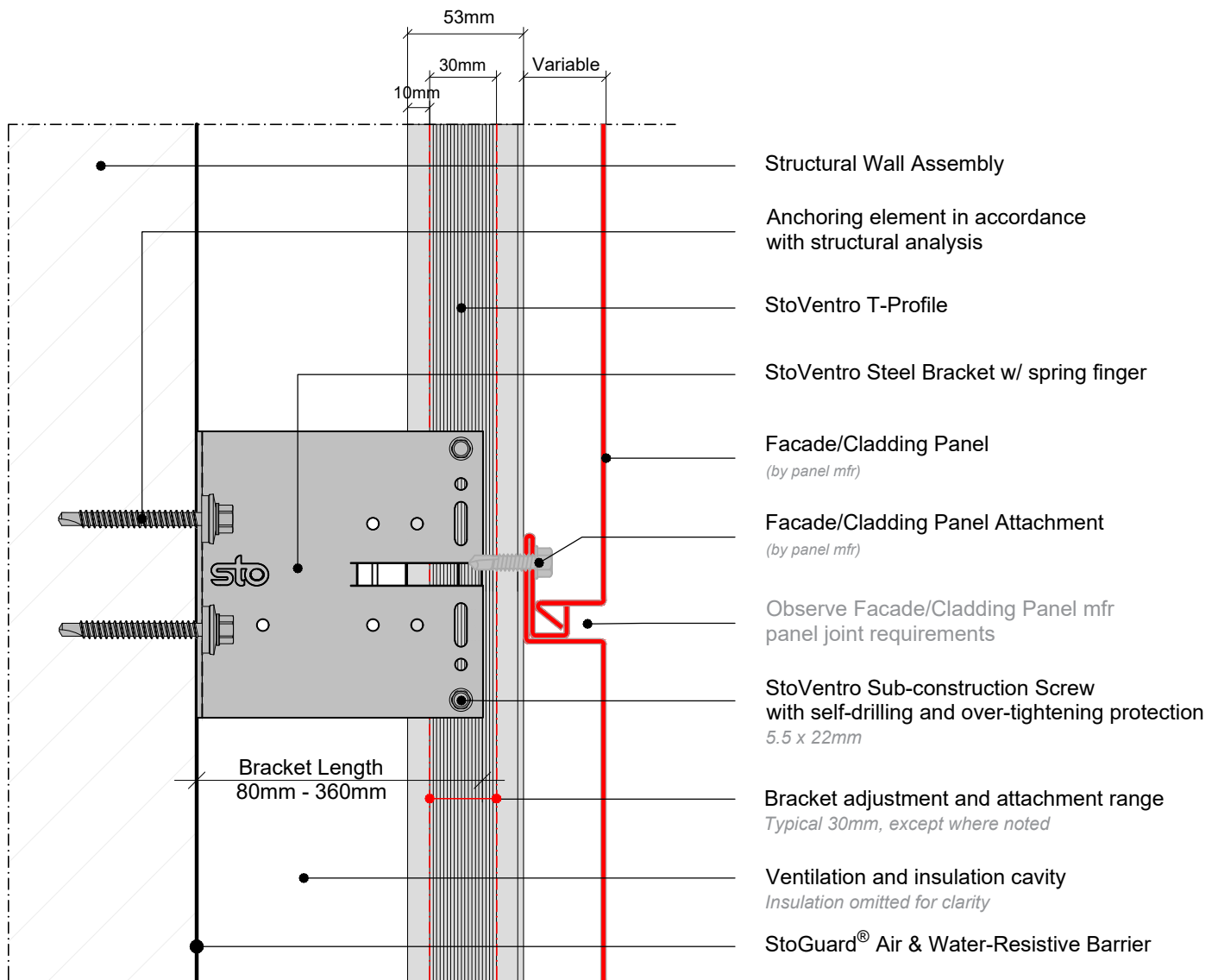
StoVentro™ Sub-Construction System

System buildup with Metal Panels
Steel Brackets w/ spring fingers (optional)

Section View

Date: January 2024

Detail No.: 90.Sc.022



ATTENTION

Sto products are intended for use by qualified professional contractors, not consumers, as a component of a larger construction assembly as specified by a qualified design professional, general contractor or builder. They should be installed in accordance with those specifications and Sto's instructions. Sto Corp. disclaims all, and assumes no, liability for on-site inspections, for its products applied improperly, or by unqualified persons or entities, or as part of an improperly designed or constructed building, for the nonperformance of adjacent building components or assemblies, or for other construction activities beyond Sto's control. Improper use of Sto products or use as part of an improperly designed or constructed larger assembly or building may result in serious damage to Sto products, and to the structure of the building or its components.

STO CORP. DISCLAIMS ALL WARRANTIES EXPRESSED OR IMPLIED EXCEPT FOR EXPLICIT LIMITED WRITTEN WARRANTIES ISSUED TO AND ACCEPTED BY BUILDING OWNERS IN ACCORDANCE WITH STO'S WARRANTY PROGRAMS WHICH ARE SUBJECT TO CHANGE FROM TIME TO TIME. For the fullest, most current information on proper application, clean-up, mixing and other specifications and warranties, cautions and disclaimers, please refer to the Sto Corp. website, www.stocorp.com.

StoVentro™ Sub-Construction System

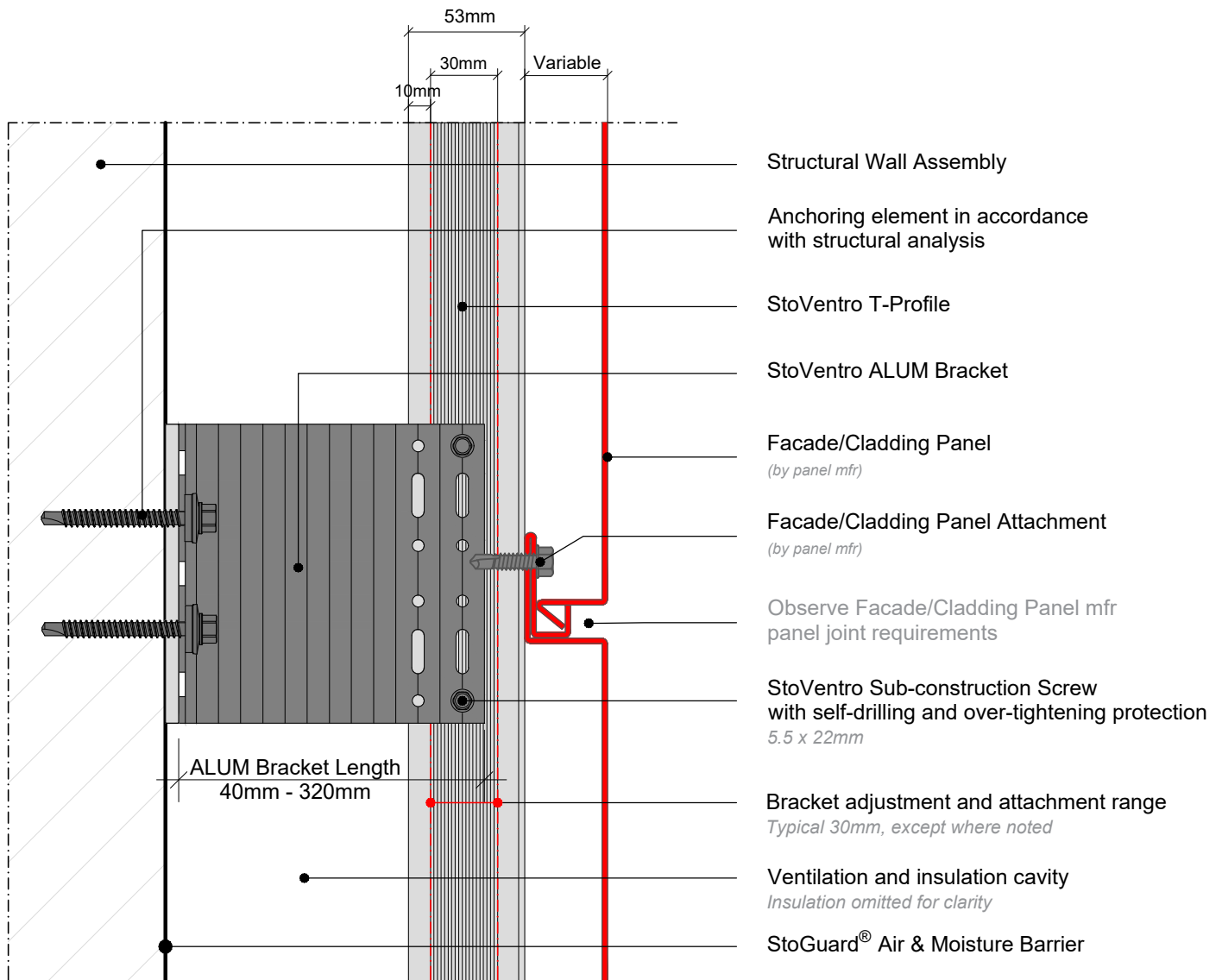
System buildup with Metal Panels

Aluminum Brackets with Thermal Blocking Element

Section View

Date: May 2021

Detail No.: 90.Sc.023



ATTENTION

Sto products are intended for use by qualified professional contractors, not consumers, as a component of a larger construction assembly as specified by a qualified design professional, general contractor or builder. They should be installed in accordance with those specifications and Sto's instructions. Sto Corp. disclaims all, and assumes no, liability for on-site inspections, for its products applied improperly, or by unqualified persons or entities, or as part of an improperly designed or constructed building, for the nonperformance of adjacent building components or assemblies, or for other construction activities beyond Sto's control. Improper use of Sto products or use as part of an improperly designed or constructed larger assembly or building may result in serious damage to Sto products, and to the structure of the building or its components.

STO CORP. DISCLAIMS ALL WARRANTIES EXPRESSED OR IMPLIED EXCEPT FOR EXPLICIT LIMITED WRITTEN WARRANTIES ISSUED TO AND ACCEPTED BY BUILDING OWNERS IN ACCORDANCE WITH STO'S WARRANTY PROGRAMS WHICH ARE SUBJECT TO CHANGE FROM TIME TO TIME. For the fullest, most current information on proper application, clean-up, mixing and other specifications and warranties, cautions and disclaimers, please refer to the Sto Corp. website, www.stocorp.com.

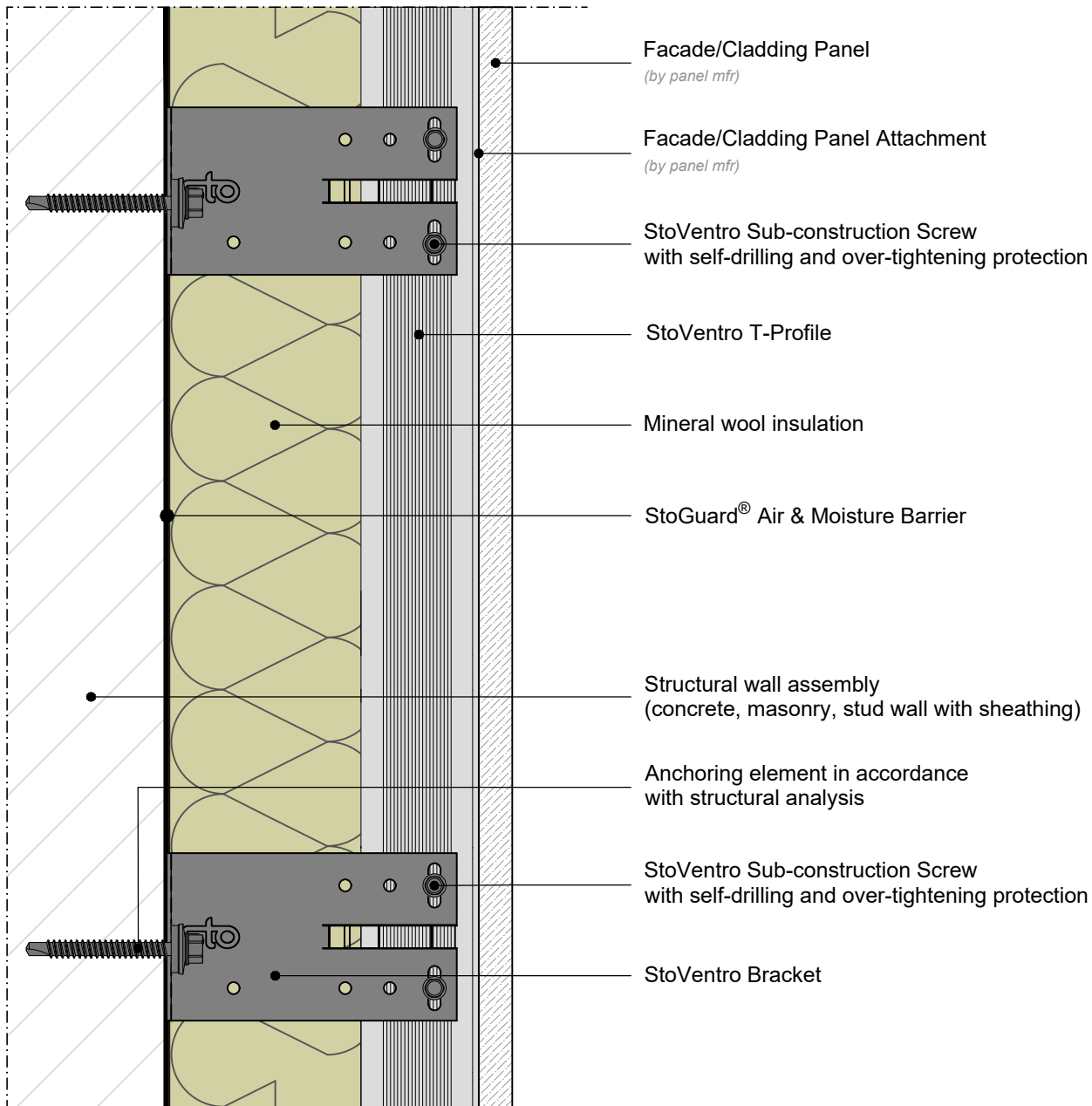
StoVentro™ Sub-Construction System

Rainscreen panel installation

Date: May 2021

Section View

Detail No.: 90.Sc.030

**ATTENTION**

Sto products are intended for use by qualified professional contractors, not consumers, as a component of a larger construction assembly as specified by a qualified design professional, general contractor or builder. They should be installed in accordance with those specifications and Sto's instructions. Sto Corp. disclaims all, and assumes no, liability for on-site inspections, for its products applied improperly, or by unqualified persons or entities, or as part of an improperly designed or constructed building, for the nonperformance of adjacent building components or assemblies, or for other construction activities beyond Sto's control. Improper use of Sto products or use as part of an improperly designed or constructed larger assembly or building may result in serious damage to Sto products, and to the structure of the building or its components.

STO CORP. DISCLAIMS ALL WARRANTIES EXPRESSED OR IMPLIED EXCEPT FOR EXPLICIT LIMITED WRITTEN WARRANTIES ISSUED TO AND ACCEPTED BY BUILDING OWNERS IN ACCORDANCE WITH STO'S WARRANTY PROGRAMS WHICH ARE SUBJECT TO CHANGE FROM TIME TO TIME. For the fullest, most current information on proper application, clean-up, mixing and other specifications and warranties, cautions and disclaimers, please refer to the Sto Corp. website, www.stocorp.com.

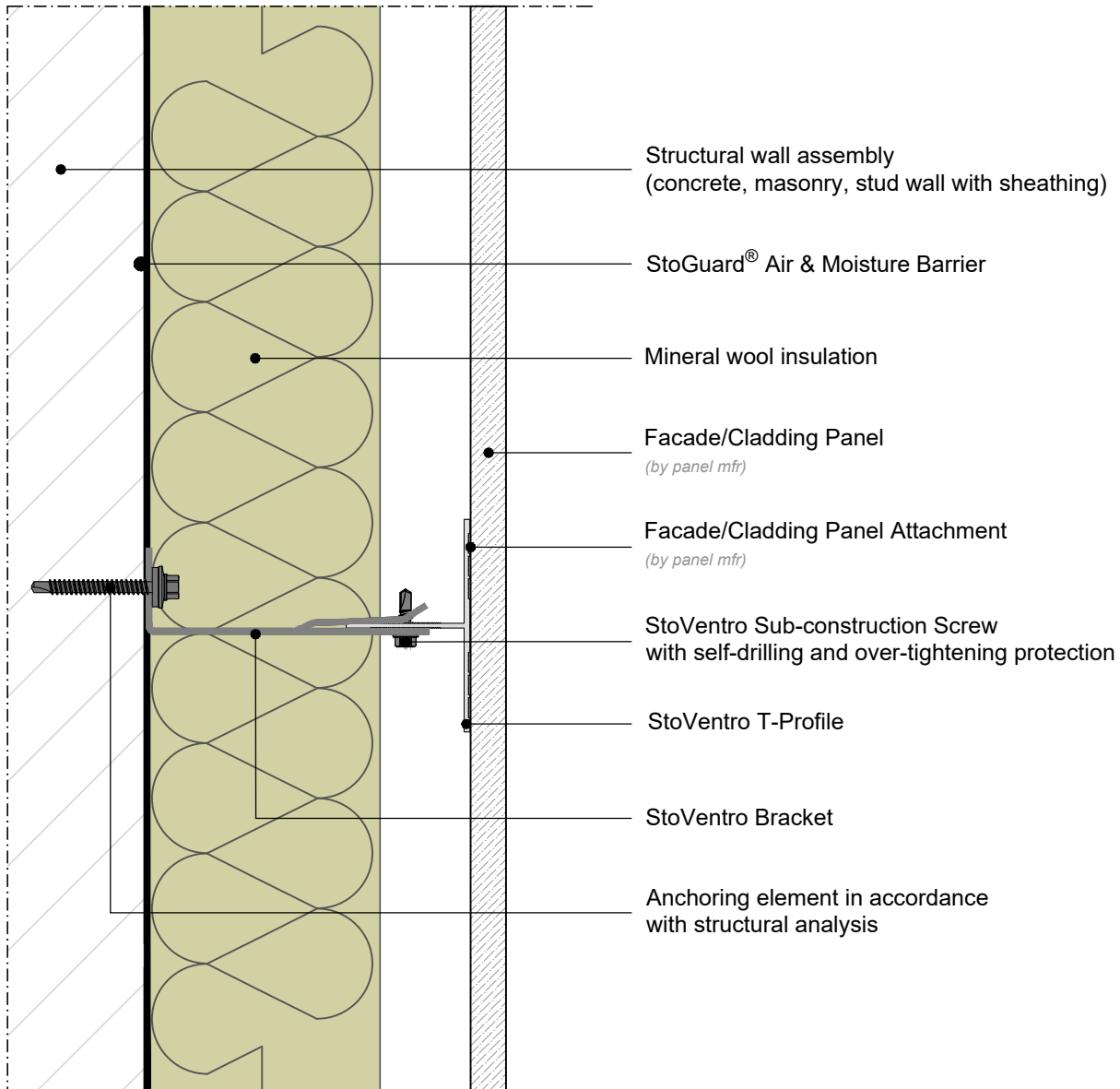
StoVentro™ Sub-Construction System

Rainscreen panel installation

Date: May 2021

Plan View

Detail No.: 90.Sc.031



ATTENTION

Sto products are intended for use by qualified professional contractors, not consumers, as a component of a larger construction assembly as specified by a qualified design professional, general contractor or builder. They should be installed in accordance with those specifications and Sto's instructions. Sto Corp. disclaims all, and assumes no, liability for on-site inspections, for its products applied improperly, or by unqualified persons or entities, or as part of an improperly designed or constructed building, for the nonperformance of adjacent building components or assemblies, or for other construction activities beyond Sto's control. Improper use of Sto products or use as part of an improperly designed or constructed larger assembly or building may result in serious damage to Sto products, and to the structure of the building or its components.

STO CORP. DISCLAIMS ALL WARRANTIES EXPRESSED OR IMPLIED EXCEPT FOR EXPLICIT LIMITED WRITTEN WARRANTIES ISSUED TO AND ACCEPTED BY BUILDING OWNERS IN ACCORDANCE WITH STO'S WARRANTY PROGRAMS WHICH ARE SUBJECT TO CHANGE FROM TIME TO TIME. For the fullest, most current information on proper application, clean-up, mixing and other specifications and warranties, cautions and disclaimers, please refer to the Sto Corp. website, www.stocorp.com.

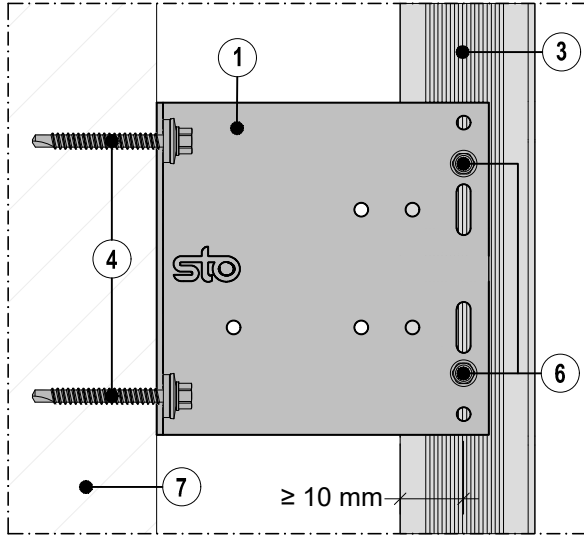
StoVentro™ Sub-Construction System

StoVentro™ Steel Brackets - Large (FP) and Small (GP), with attachment locations for fixed points and sliding points

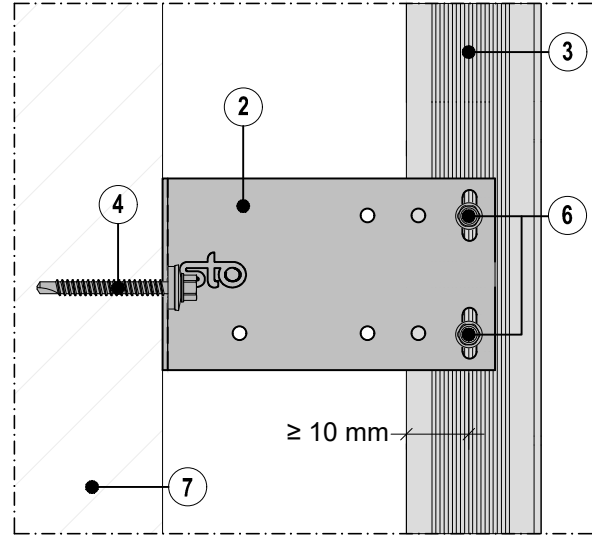
Section View

Date: January 2024

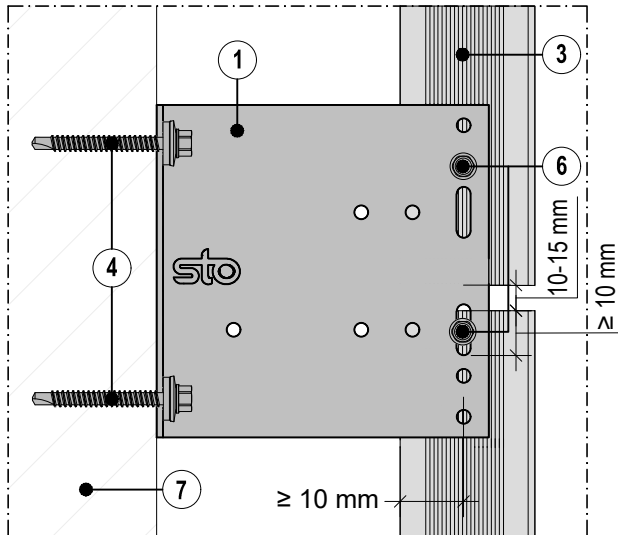
Detail No.: 90.Sc.045



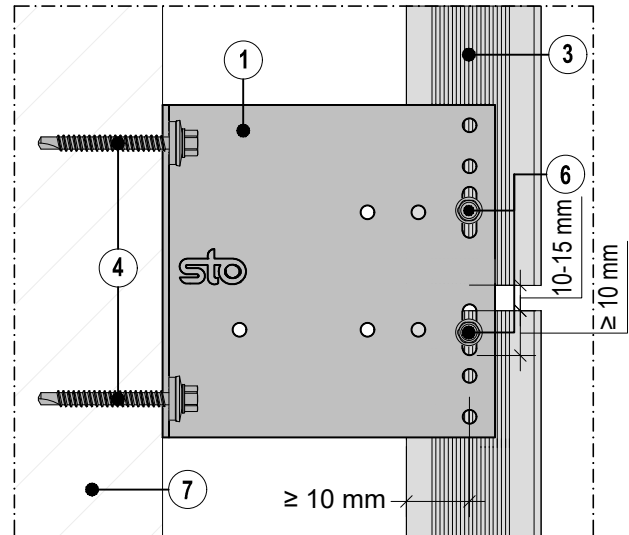
StoVentro™ Bracket - Large (FP) | Fixed point fastening



StoVentro™ Bracket - Small (GP) | Sliding point fastening



StoVentro™ Bracket - Large (FP) | Fixed & sliding point fastening



StoVentro™ Bracket - Large (FP) | Sliding point fastening

① StoVentro™ Steel Bracket Large (FP)

③ StoVentro™ T-Profile

⑥ StoVentro™ Sub-construction Screw with self-drilling and over-tightening protection (5.5 x 22 mm)

② StoVentro™ Steel Bracket Small (GP)

④ Anchoring element in accordance with structural analysis

⑦ Structural wall assembly (concrete, masonry, stud wall with sheathing)

ATTENTION

Note: All values are subject to structural analysis.

Sto products are intended for use by qualified professional contractors, not consumers, as a component of a larger construction assembly as specified by a qualified design professional, general contractor or builder. They should be installed in accordance with those specifications and Sto's instructions. Sto Corp. disclaims all, and assumes no, liability for on-site inspections, for its products applied improperly, or by unqualified persons or entities, or as part of an improperly designed or constructed building, for the nonperformance of adjacent building components or assemblies, or for other construction activities beyond Sto's control. Improper use of Sto products or use as part of an improperly designed or constructed larger assembly or building may result in serious damage to Sto products, and to the structure of the building or its components.

STO CORP. DISCLAIMS ALL WARRANTIES EXPRESSED OR IMPLIED EXCEPT FOR EXPLICIT LIMITED WRITTEN WARRANTIES ISSUED TO AND ACCEPTED BY BUILDING OWNERS IN ACCORDANCE WITH STO'S WARRANTY PROGRAMS WHICH ARE SUBJECT TO CHANGE FROM TIME TO TIME. For the fullest, most current information on proper application, clean-up, mixing and other specifications and warranties, cautions and disclaimers, please refer to the Sto Corp. website, www.stocorp.com.

StoVentro™ Sub-Construction System

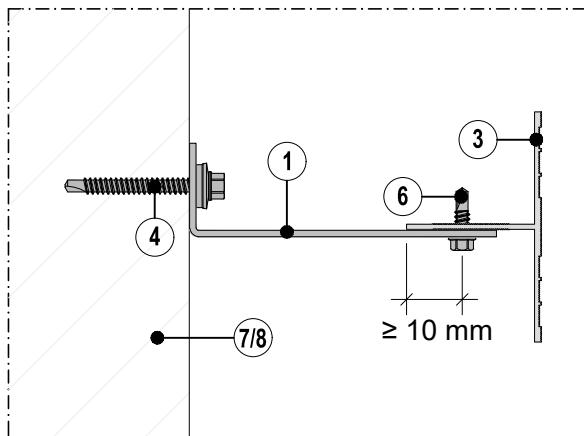
StoVentro™ Steel Brackets - Large (FP) and Small (GP) attachment locations

Elevation & Plan Views

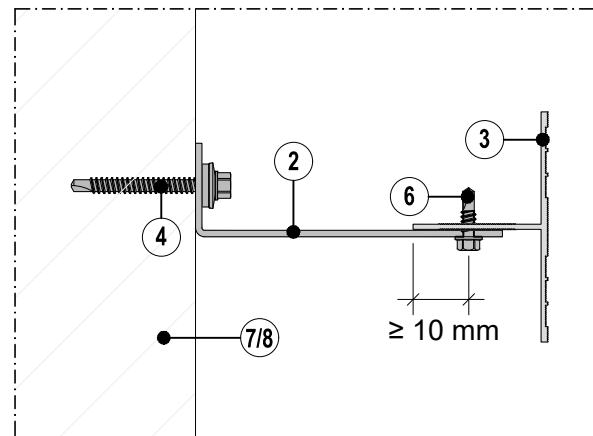
Date: January 2024

Detail No.: 90.Sc.046

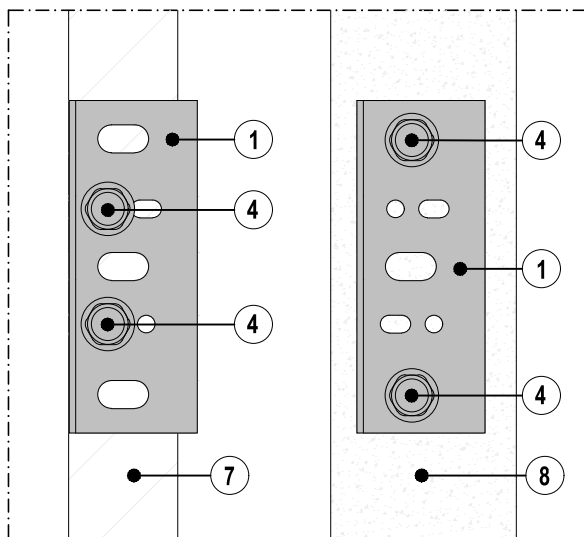
Note: All values are subject to structural analysis.



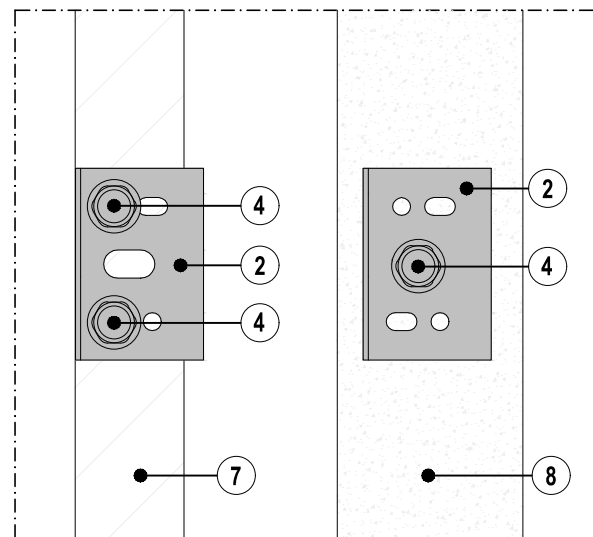
StoVentro™ Bracket - Large (FP)
Plan View Attachment



StoVentro™ Bracket - Small (GP)
Plan View Attachment



StoVentro™ Bracket - Large (FP)
Elevation View Attachment



StoVentro™ Bracket - Small (GP)
Elevation View Attachment

- | | | |
|---------------------------------------|--|---|
| ① StoVentro™ Steel Bracket Large (FP) | ③ StoVentro™ T-Profile | ⑥ StoVentro™ Sub-construction Screw with self-drilling and over-tightening protection (5.5 x 22 mm) |
| ② StoVentro™ Steel Bracket Small (GP) | ④ Anchoring element in accordance with structural analysis | ⑦ Structural wall assembly (stud wall with sheathing) |
| | | ⑧ Structural wall assembly (concrete and masonry) |

ATTENTION

Sto products are intended for use by qualified professional contractors, not consumers, as a component of a larger construction assembly as specified by a qualified design professional, general contractor or builder. They should be installed in accordance with those specifications and Sto's instructions. Sto Corp. disclaims all, and assumes no, liability for on-site inspections, for its products applied improperly, or by unqualified persons or entities, or as part of an improperly designed or constructed building, for the nonperformance of adjacent building components or assemblies, or for other construction activities beyond Sto's control. Improper use of Sto products or use as part of an improperly designed or constructed larger assembly or building may result in serious damage to Sto products, and to the structure of the building or its components.

STO CORP. DISCLAIMS ALL WARRANTIES EXPRESSED OR IMPLIED EXCEPT FOR EXPLICIT LIMITED WRITTEN WARRANTIES ISSUED TO AND ACCEPTED BY BUILDING OWNERS IN ACCORDANCE WITH STO'S WARRANTY PROGRAMS WHICH ARE SUBJECT TO CHANGE FROM TIME TO TIME. For the fullest, most current information on proper application, clean-up, mixing and other specifications and warranties, cautions and disclaimers, please refer to the Sto Corp. website, www.stocorp.com.

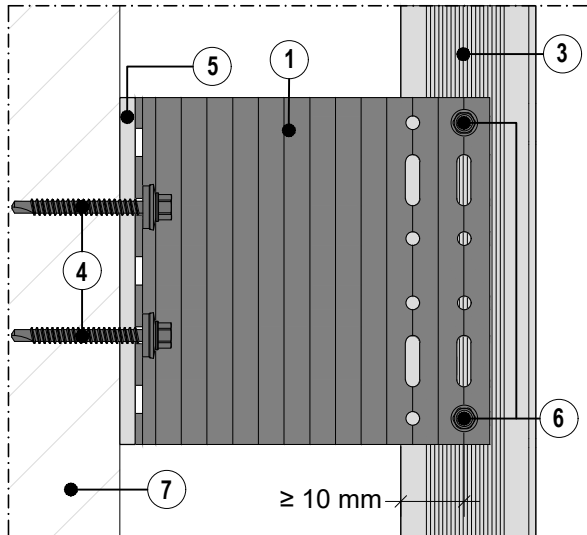
StoVentro™ Sub-Construction System

StoVentro™ Aluminum Brackets - Large (FP) and Small (GP), with attachment locations for fixed points and sliding points

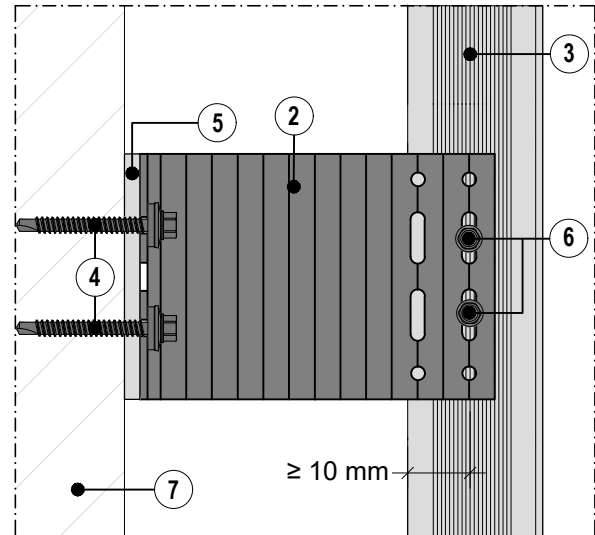
Section View

Date: May 2021

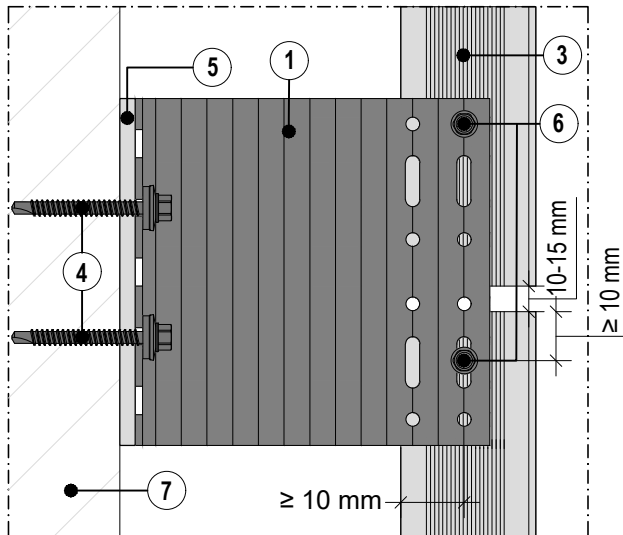
Detail No.: 90.Sc.047



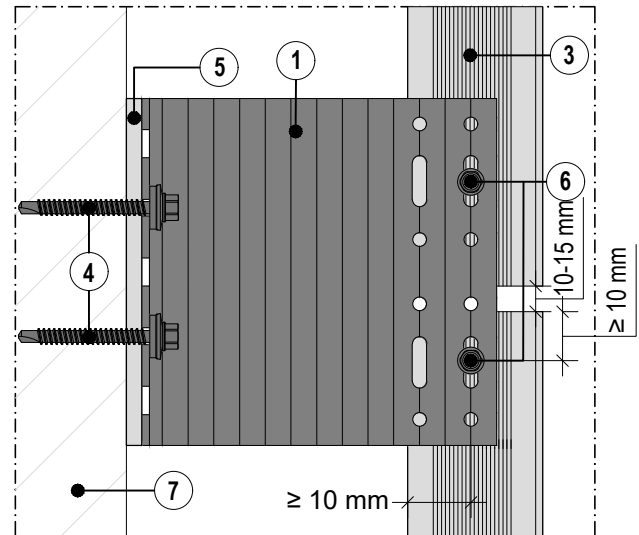
StoVentro™ ALUM Bracket - Large (FP) | Fixed point fastening



StoVentro™ ALUM Bracket - Small (GP) | Sliding point fastening



StoVentro™ ALUM Bracket - Large (FP) | Fixed & sliding point fastening



StoVentro™ ALUM Bracket - Large (FP) | Sliding point fastening

① StoVentro™ ALUM Bracket Large (FP)

② StoVentro™ ALUM Bracket Small (GP)

③ StoVentro™ T-Profile

④ Anchoring element in accordance with structural analysis

⑤ StoVentro™ Thermal Blocking Element

⑥ StoVentro™ Sub-construction Screw with self-drilling and over-tightening protection (5.5 x 22 mm)

⑦ Structural wall assembly (concrete, masonry, stud wall with sheathing)

ATTENTION

Note: All values are subject to structural analysis.

Sto products are intended for use by qualified professional contractors, not consumers, as a component of a larger construction assembly as specified by a qualified design professional, general contractor or builder. They should be installed in accordance with those specifications and Sto's instructions. Sto Corp. disclaims all, and assumes no, liability for on-site inspections, for its products applied improperly, or by unqualified persons or entities, or as part of an improperly designed or constructed building, for the nonperformance of adjacent building components or assemblies, or for other construction activities beyond Sto's control. Improper use of Sto products or use as part of an improperly designed or constructed larger assembly or building may result in serious damage to Sto products, and to the structure of the building or its components.

STO CORP. DISCLAIMS ALL WARRANTIES EXPRESSED OR IMPLIED EXCEPT FOR EXPLICIT LIMITED WRITTEN WARRANTIES ISSUED TO AND ACCEPTED BY BUILDING OWNERS IN ACCORDANCE WITH STO'S WARRANTY PROGRAMS WHICH ARE SUBJECT TO CHANGE FROM TIME TO TIME. For the fullest, most current information on proper application, clean-up, mixing and other specifications and warranties, cautions and disclaimers, please refer to the Sto Corp. website, www.stocorp.com.

StoVento™ Sub-Construction System

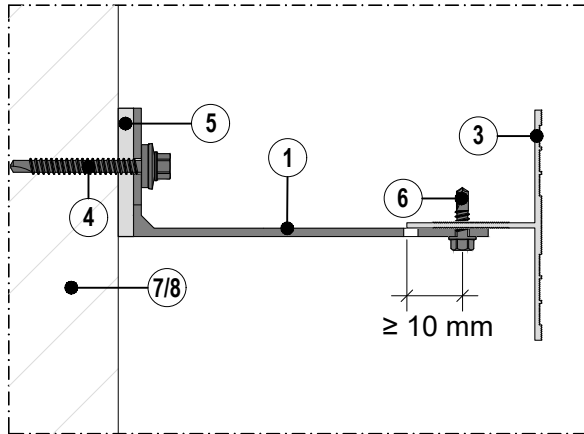
StoVento™ Aluminum Brackets - Large (FP) and Small (GP) attachment locations

Elevation & Plan Views

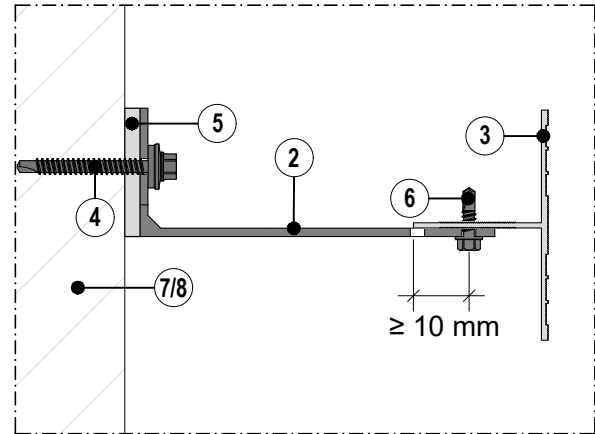
Date: May 2021

Detail No.: 90.Sc.048

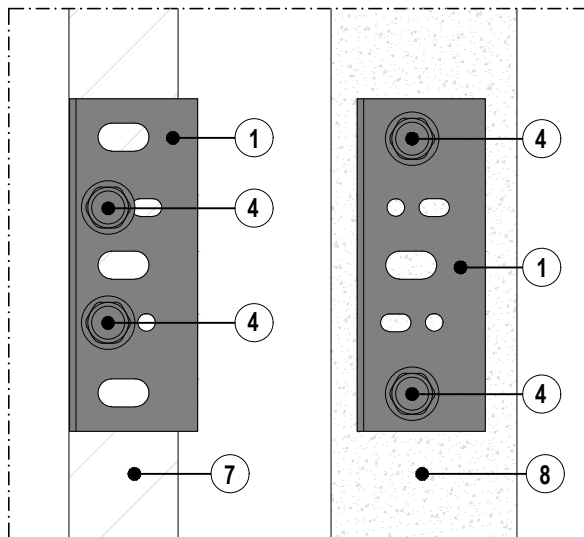
Note: All values are subject to structural analysis.



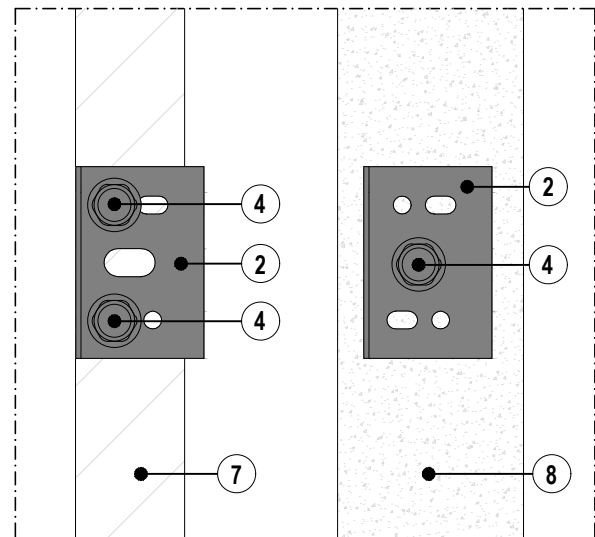
StoVento™ ALUM Bracket - Large (FP)
Plan View Attachment



StoVento™ ALUM Bracket - Small (GP)
Plan View Attachment



StoVento™ ALUM Bracket - Large (FP)
Elevation View Attachment



StoVento™ ALUM Bracket - Small (GP)
Elevation View Attachment

- | | | |
|--------------------------------------|--|--|
| ① StoVento™ ALUM Bracket Large (FP) | ③ StoVento™ T-Profile | ⑥ StoVento™ Sub-construction Screw with self-drilling and over-tightening protection (5.5 x 22 mm) |
| ② StoVento™ ALUM Bracket Small (GP) | ④ Anchoring element in accordance with structural analysis | ⑦ Structural wall assembly (stud wall with sheathing) |
| ⑤ StoVento™ Thermal Blocking Element | ⑧ Structural wall assembly (concrete and masonry) | |

ATTENTION

Sto products are intended for use by qualified professional contractors, not consumers, as a component of a larger construction assembly as specified by a qualified design professional, general contractor or builder. They should be installed in accordance with those specifications and Sto's instructions. Sto Corp. disclaims all, and assumes no, liability for on-site inspections, for its products applied improperly, or by unqualified persons or entities, or as part of an improperly designed or constructed building, for the nonperformance of adjacent building components or assemblies, or for other construction activities beyond Sto's control. Improper use of Sto products or use as part of an improperly designed or constructed larger assembly or building may result in serious damage to Sto products, and to the structure of the building or its components.

STO CORP. DISCLAIMS ALL WARRANTIES EXPRESSED OR IMPLIED EXCEPT FOR EXPLICIT LIMITED WRITTEN WARRANTIES ISSUED TO AND ACCEPTED BY BUILDING OWNERS IN ACCORDANCE WITH STO'S WARRANTY PROGRAMS WHICH ARE SUBJECT TO CHANGE FROM TIME TO TIME. For the fullest, most current information on proper application, clean-up, mixing and other specifications and warranties, cautions and disclaimers, please refer to the Sto Corp. website, www.stocorp.com.

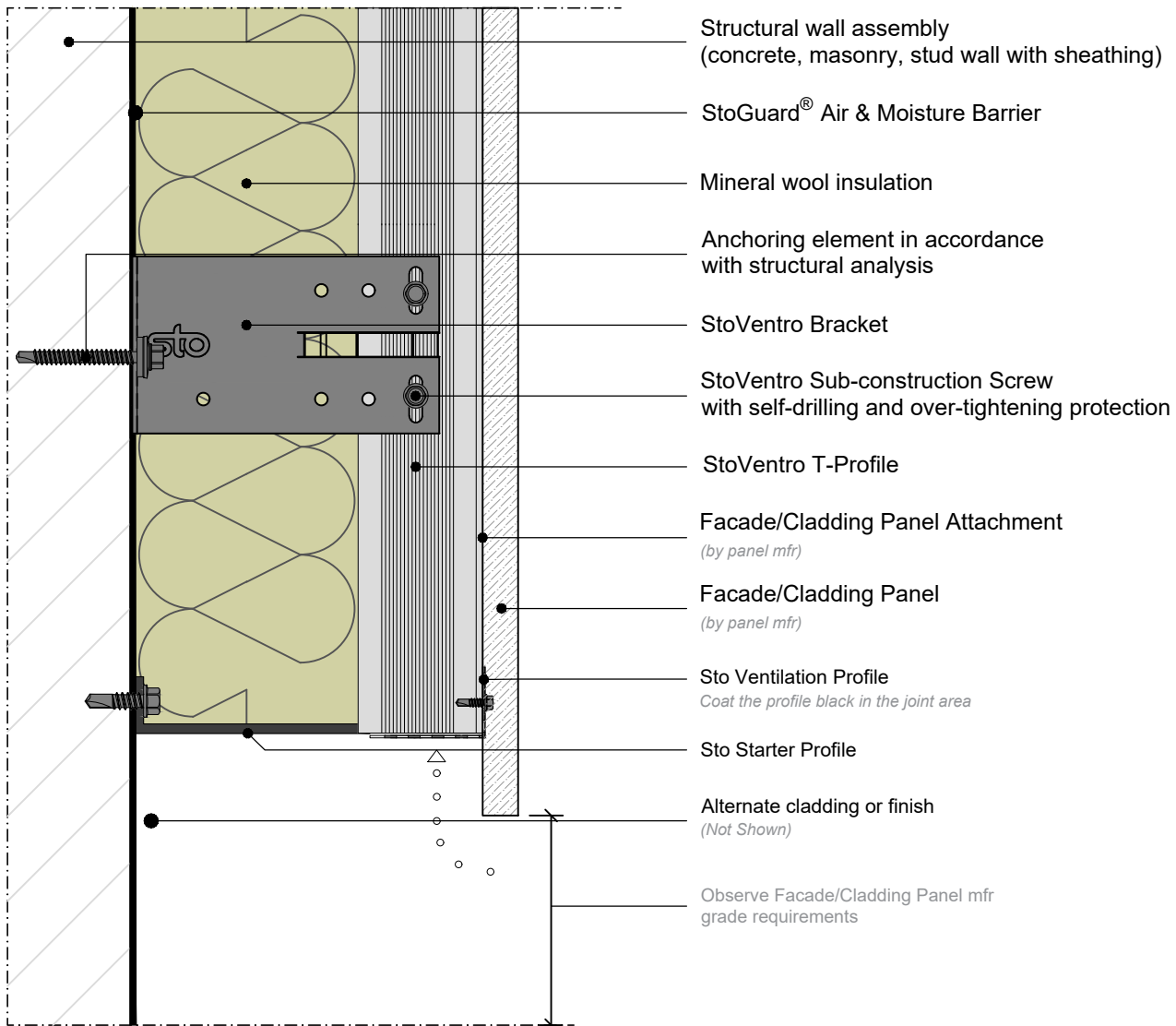
StoVentro™ Sub-Construction System

Installation at grade with Sto Ventilation Profile

Date: May 2021

Section View

Detail No.: 90.Sc.055



ATTENTION

Sto products are intended for use by qualified professional contractors, not consumers, as a component of a larger construction assembly as specified by a qualified design professional, general contractor or builder. They should be installed in accordance with those specifications and Sto's instructions. Sto Corp. disclaims all, and assumes no, liability for on-site inspections, for its products applied improperly, or by unqualified persons or entities, or as part of an improperly designed or constructed building, for the nonperformance of adjacent building components or assemblies, or for other construction activities beyond Sto's control. Improper use of Sto products or use as part of an improperly designed or constructed larger assembly or building may result in serious damage to Sto products, and to the structure of the building or its components.

STO CORP. DISCLAIMS ALL WARRANTIES EXPRESSED OR IMPLIED EXCEPT FOR EXPLICIT LIMITED WRITTEN WARRANTIES ISSUED TO AND ACCEPTED BY BUILDING OWNERS IN ACCORDANCE WITH STO'S WARRANTY PROGRAMS WHICH ARE SUBJECT TO CHANGE FROM TIME TO TIME. For the fullest, most current information on proper application, clean-up, mixing and other specifications and warranties, cautions and disclaimers, please refer to the Sto Corp. website, www.stocorp.com.

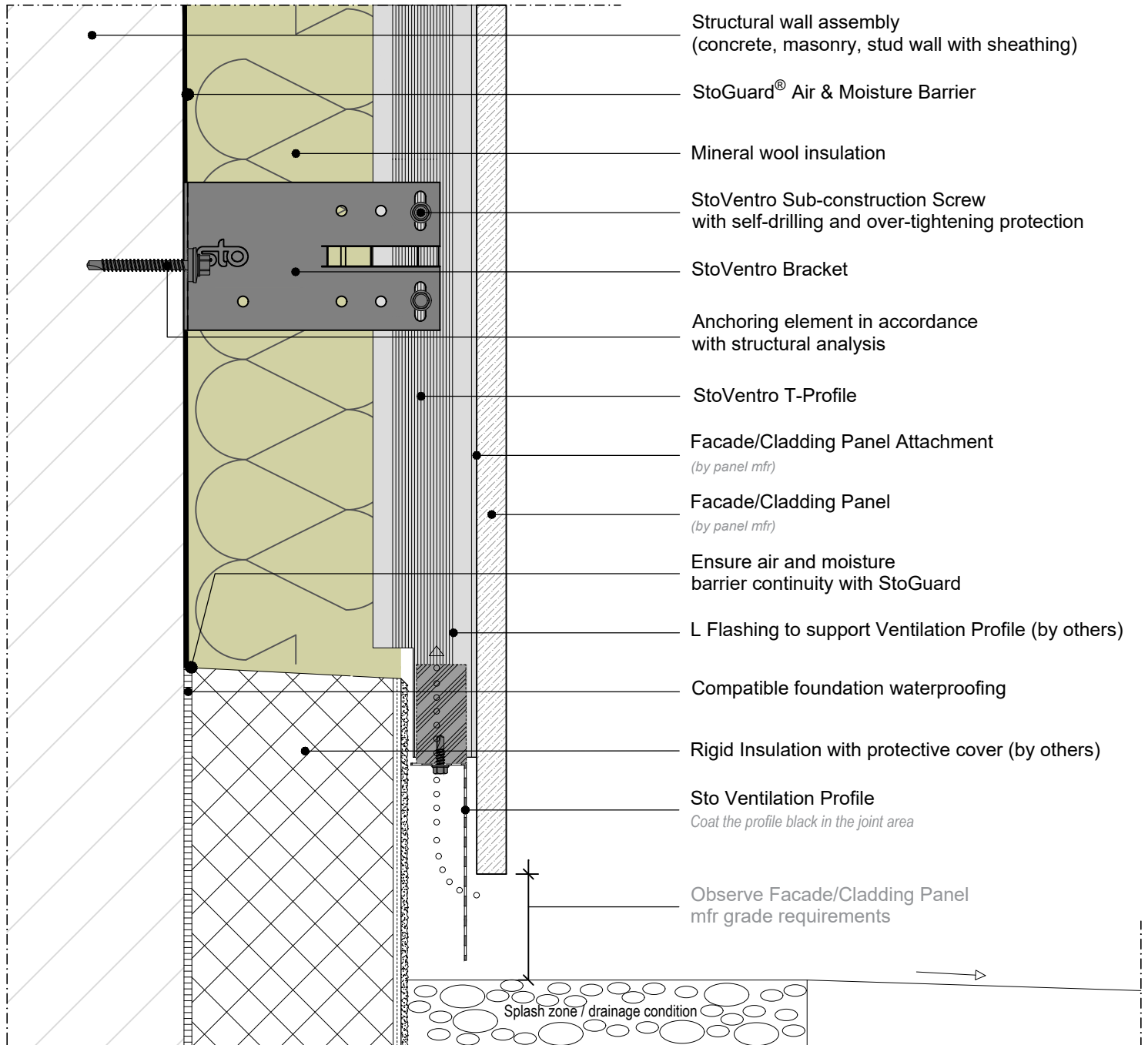
StoVentro™ Sub-Construction System

Installation at grade with Sto Ventilation Profile

Date: May 2021

Section View

Detail No.: 90.Sc.065



ATTENTION

Sto products are intended for use by qualified professional contractors, not consumers, as a component of a larger construction assembly as specified by a qualified design professional, general contractor or builder. They should be installed in accordance with those specifications and Sto's instructions. Sto Corp. disclaims all, and assumes no, liability for on-site inspections, for its products applied improperly, or by unqualified persons or entities, or as part of an improperly designed or constructed building, for the nonperformance of adjacent building components or assemblies, or for other construction activities beyond Sto's control. Improper use of Sto products or use as part of an improperly designed or constructed larger assembly or building may result in serious damage to Sto products, and to the structure of the building or its components.

STO CORP. DISCLAIMS ALL WARRANTIES EXPRESSED OR IMPLIED EXCEPT FOR EXPLICIT LIMITED WRITTEN WARRANTIES ISSUED TO AND ACCEPTED BY BUILDING OWNERS IN ACCORDANCE WITH STO'S WARRANTY PROGRAMS WHICH ARE SUBJECT TO CHANGE FROM TIME TO TIME. For the fullest, most current information on proper application, clean-up, mixing and other specifications and warranties, cautions and disclaimers, please refer to the Sto Corp. website, www.stocorp.com.

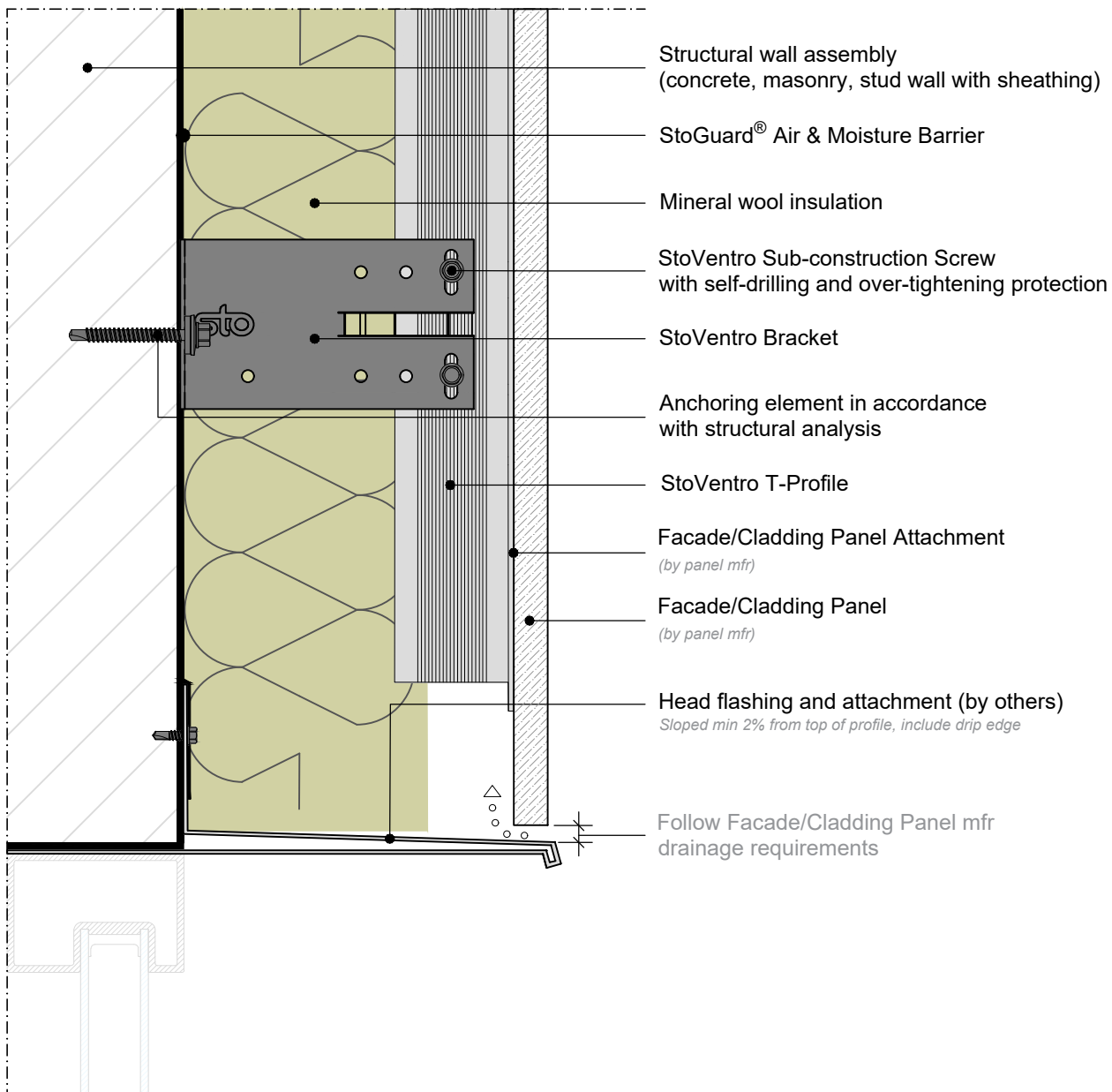
StoVentro™ Sub-Construction System

Installation at Window Head with head flashing

Date: May 2021

Section View

Detail No.: 90.Sc.080

**ATTENTION**

Sto products are intended for use by qualified professional contractors, not consumers, as a component of a larger construction assembly as specified by a qualified design professional, general contractor or builder. They should be installed in accordance with those specifications and Sto's instructions. Sto Corp. disclaims all, and assumes no, liability for on-site inspections, for its products applied improperly, or by unqualified persons or entities, or as part of an improperly designed or constructed building, for the nonperformance of adjacent building components or assemblies, or for other construction activities beyond Sto's control. Improper use of Sto products or use as part of an improperly designed or constructed larger assembly or building may result in serious damage to Sto products, and to the structure of the building or its components.

STO CORP. DISCLAIMS ALL WARRANTIES EXPRESSED OR IMPLIED EXCEPT FOR EXPLICIT LIMITED WRITTEN WARRANTIES ISSUED TO AND ACCEPTED BY BUILDING OWNERS IN ACCORDANCE WITH STO'S WARRANTY PROGRAMS WHICH ARE SUBJECT TO CHANGE FROM TIME TO TIME. For the fullest, most current information on proper application, clean-up, mixing and other specifications and warranties, cautions and disclaimers, please refer to the Sto Corp. website, www.stocorp.com.

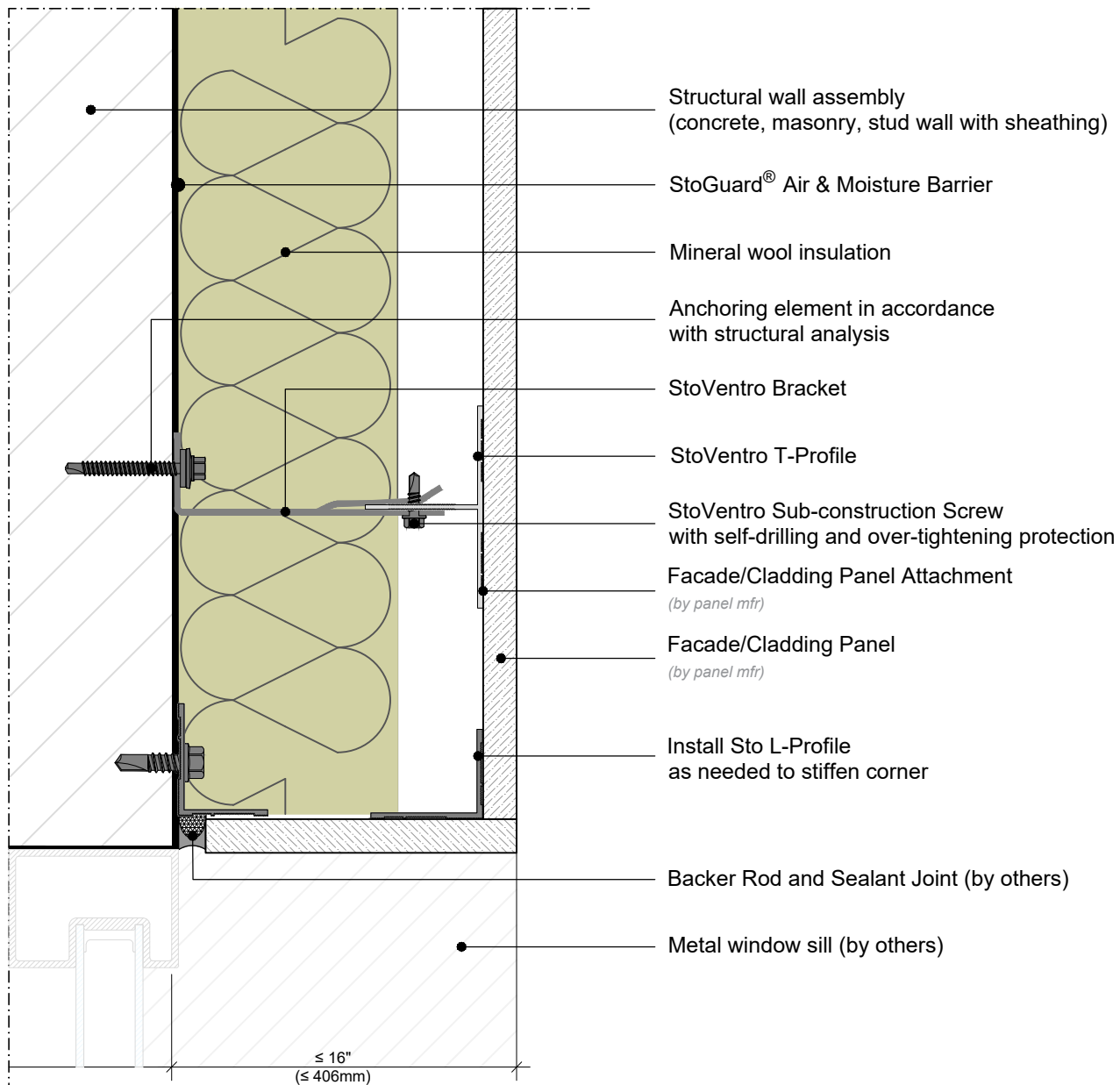
StoVentro™ Sub-Construction System

Installation at Window Jamb with Backer Rod and Sealant Joint

Date: May 2021

Plan View

Detail No.: 90.Sc.085

**ATTENTION**

Sto products are intended for use by qualified professional contractors, not consumers, as a component of a larger construction assembly as specified by a qualified design professional, general contractor or builder. They should be installed in accordance with those specifications and Sto's instructions. Sto Corp. disclaims all, and assumes no, liability for on-site inspections, for its products applied improperly, or by unqualified persons or entities, or as part of an improperly designed or constructed building, for the nonperformance of adjacent building components or assemblies, or for other construction activities beyond Sto's control. Improper use of Sto products or use as part of an improperly designed or constructed larger assembly or building may result in serious damage to Sto products, and to the structure of the building or its components.

STO CORP. DISCLAIMS ALL WARRANTIES EXPRESSED OR IMPLIED EXCEPT FOR EXPLICIT LIMITED WRITTEN WARRANTIES ISSUED TO AND ACCEPTED BY BUILDING OWNERS IN ACCORDANCE WITH STO'S WARRANTY PROGRAMS WHICH ARE SUBJECT TO CHANGE FROM TIME TO TIME. For the fullest, most current information on proper application, clean-up, mixing and other specifications and warranties, cautions and disclaimers, please refer to the Sto Corp. website, www.stocorp.com.

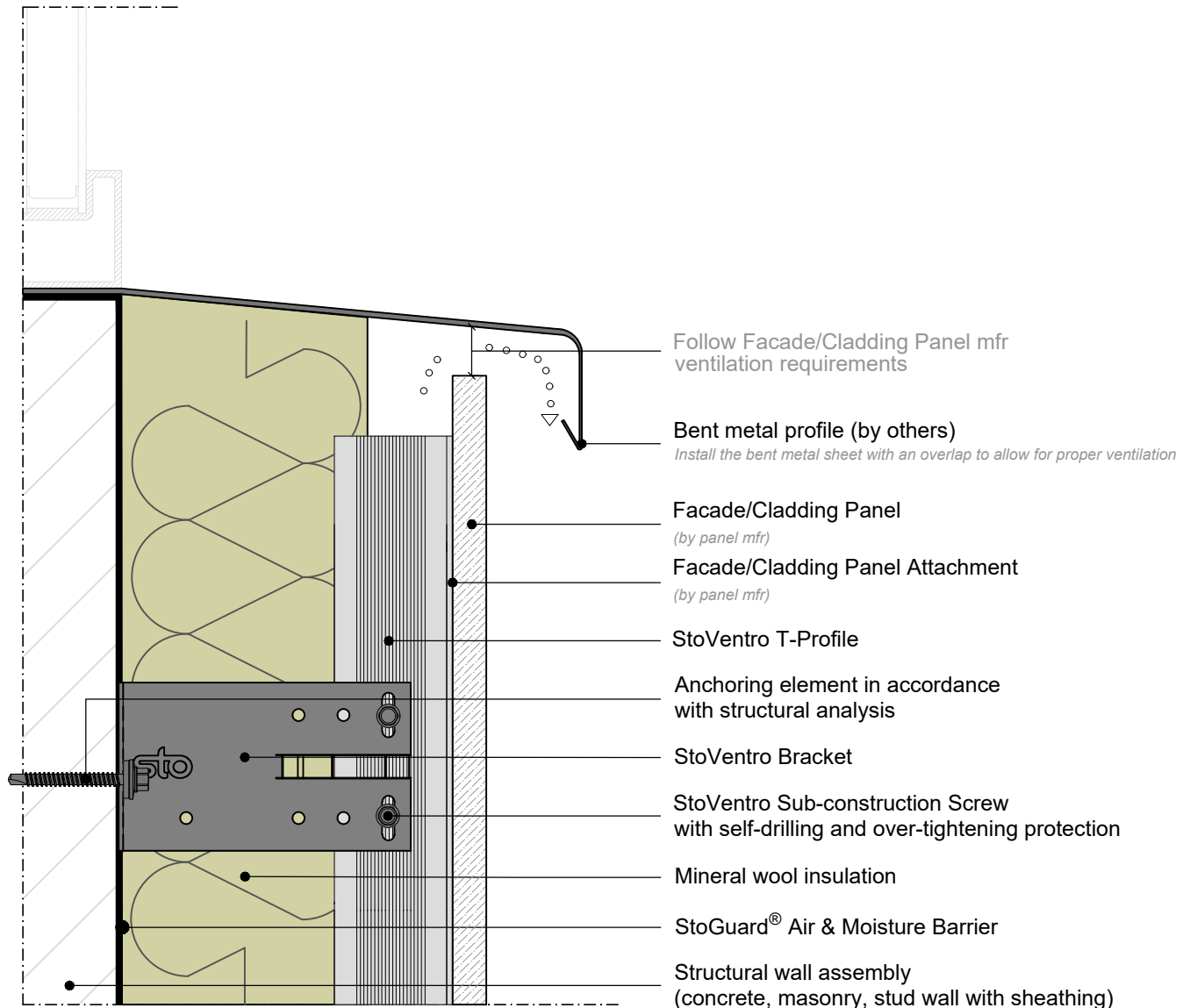
StoVentro™ Sub-Construction System

Installation at Window Sill

Date: May 2021

Section View

Detail No.: 90.Sc.090



ATTENTION

Sto products are intended for use by qualified professional contractors, not consumers, as a component of a larger construction assembly as specified by a qualified design professional, general contractor or builder. They should be installed in accordance with those specifications and Sto's instructions. Sto Corp. disclaims all, and assumes no, liability for on-site inspections, for its products applied improperly, or by unqualified persons or entities, or as part of an improperly designed or constructed building, for the nonperformance of adjacent building components or assemblies, or for other construction activities beyond Sto's control. Improper use of Sto products or use as part of an improperly designed or constructed larger assembly or building may result in serious damage to Sto products, and to the structure of the building or its components.

STO CORP. DISCLAIMS ALL WARRANTIES EXPRESSED OR IMPLIED EXCEPT FOR EXPLICIT LIMITED WRITTEN WARRANTIES ISSUED TO AND ACCEPTED BY BUILDING OWNERS IN ACCORDANCE WITH STO'S WARRANTY PROGRAMS WHICH ARE SUBJECT TO CHANGE FROM TIME TO TIME. For the fullest, most current information on proper application, clean-up, mixing and other specifications and warranties, cautions and disclaimers, please refer to the Sto Corp. website, www.stocorp.com.

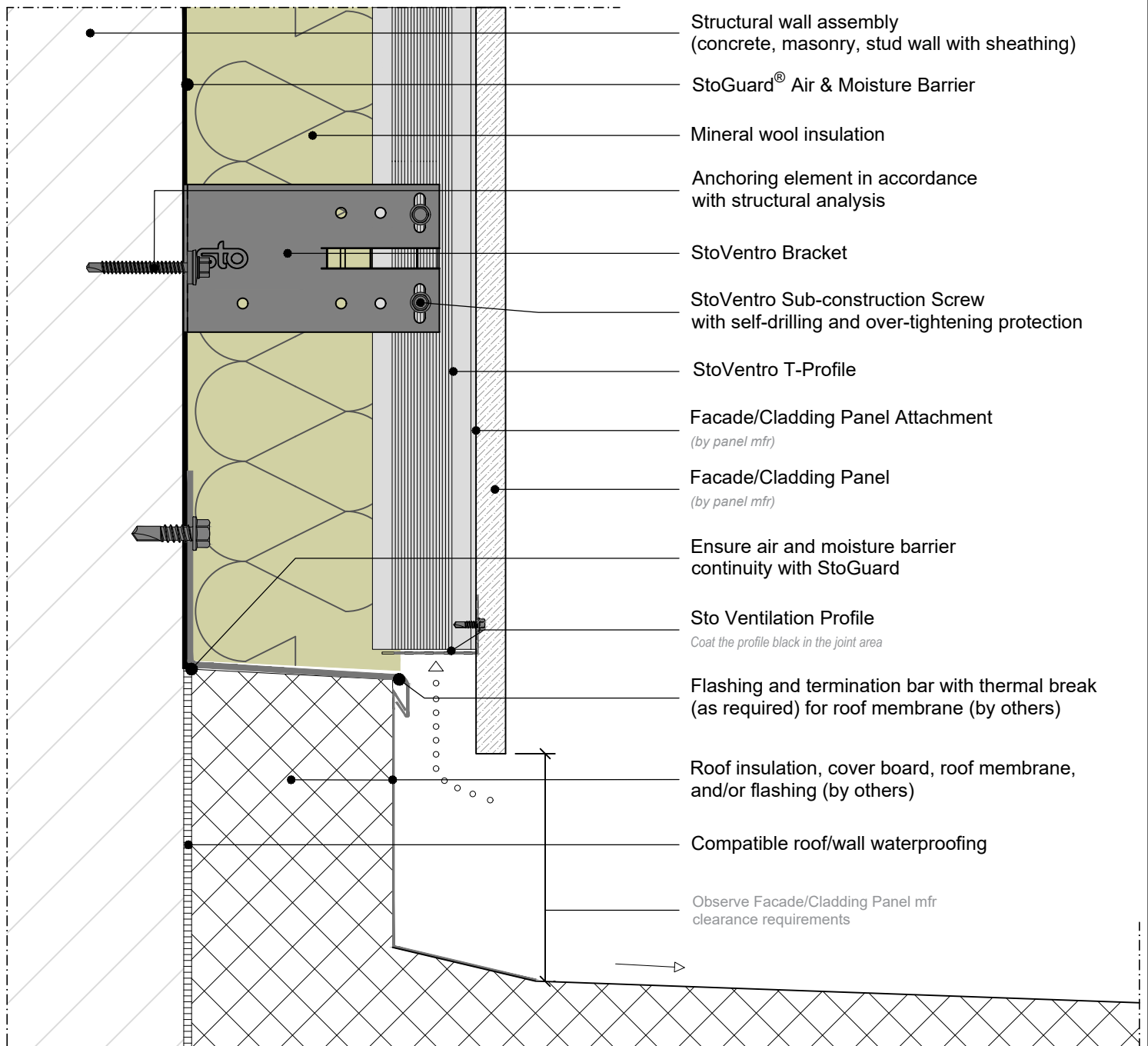
StoVentro™ Sub-Construction System

Installation at Roofline

Date: May 2021

Section View

Detail No.: 90.Sc.150



ATTENTION

Sto products are intended for use by qualified professional contractors, not consumers, as a component of a larger construction assembly as specified by a qualified design professional, general contractor or builder. They should be installed in accordance with those specifications and Sto's instructions. Sto Corp. disclaims all, and assumes no, liability for on-site inspections, for its products applied improperly, or by unqualified persons or entities, or as part of an improperly designed or constructed building, for the nonperformance of adjacent building components or assemblies, of for other construction activities beyond Sto's control. Improper use of Sto products or use as part of an improperly designed or constructed larger assembly or building may result in serious damage to Sto products, and to the structure of the building or its components.

STO CORP. DISCLAIMS ALL WARRANTIES EXPRESSED OR IMPLIED EXCEPT FOR EXPLICIT LIMITED WRITTEN WARRANTIES ISSUED TO AND ACCEPTED BY BUILDING OWNERS IN ACCORDANCE WITH STO'S WARRANTY PROGRAMS WHICH ARE SUBJECT TO CHANGE FROM TIME TO TIME. For the fullest, most current information on proper application, clean-up, mixing and other specifications and warranties, cautions and disclaimers, please refer to the Sto Corp. website, www.stocorp.com.

StoVentro™ Sub-Construction System

Soffit or Ceiling Installation - Not Insulated (Unconditioned)

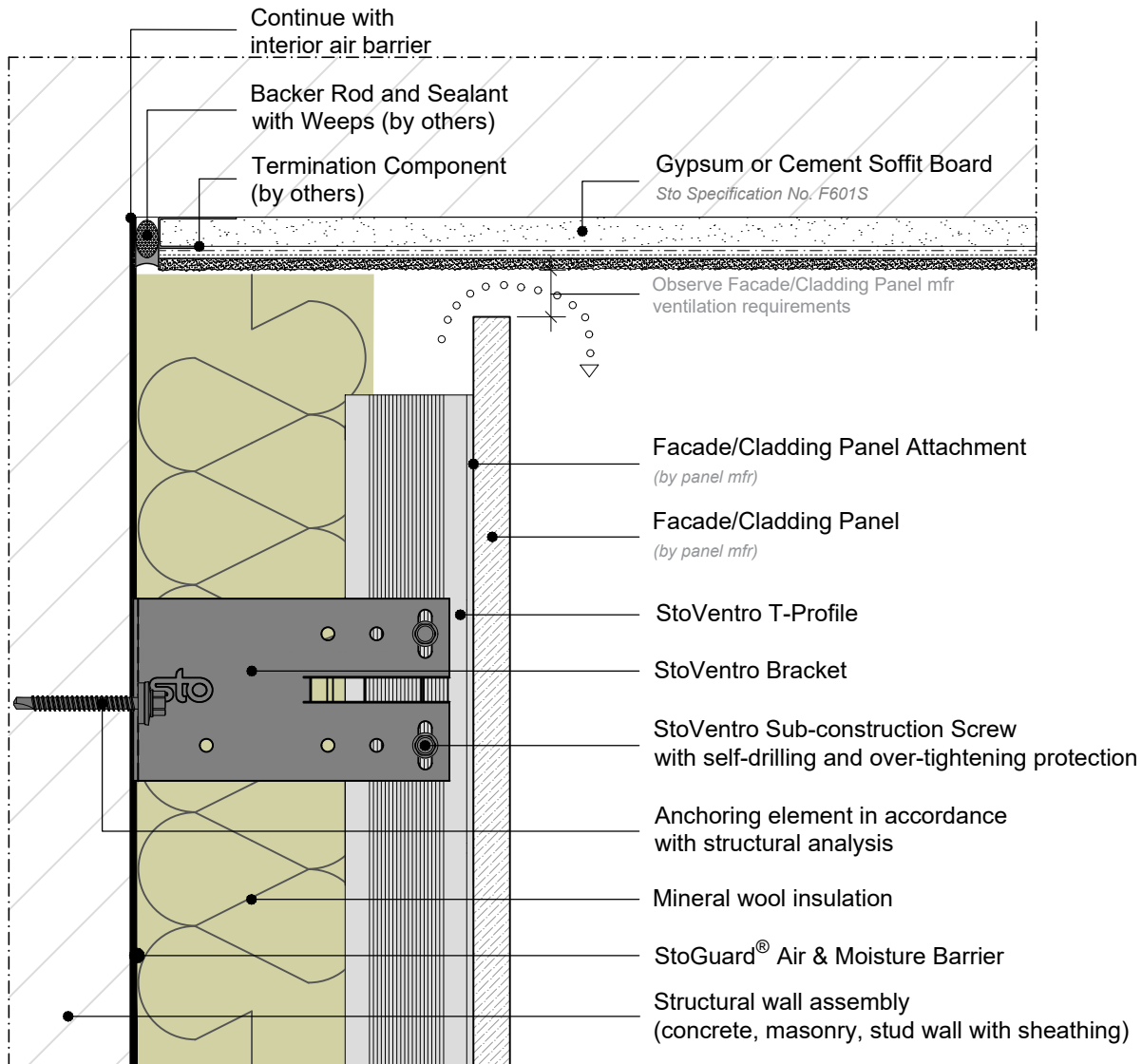
StoVentro and Sto Direct-applied Finish System for Soffits and Ceilings

Section View

Date: May 2021

Detail No.: 90.Sc.161

Note: Direct-applied Exterior Finish System (DEFS) for use on weather protected walls and vented uninsulated exterior soffit and ceiling applications.

**ATTENTION**

Sto products are intended for use by qualified professional contractors, not consumers, as a component of a larger construction assembly as specified by a qualified design professional, general contractor or builder. They should be installed in accordance with those specifications and Sto's instructions. Sto Corp. disclaims all, and assumes no, liability for on-site inspections, for its products applied improperly, or by unqualified persons or entities, or as part of an improperly designed or constructed building, for the nonperformance of adjacent building components or assemblies, or for other construction activities beyond Sto's control. Improper use of Sto products or use as part of an improperly designed or constructed larger assembly or building may result in serious damage to Sto products, and to the structure of the building or its components.

STO CORP. DISCLAIMS ALL WARRANTIES EXPRESSED OR IMPLIED EXCEPT FOR EXPLICIT LIMITED WRITTEN WARRANTIES ISSUED TO AND ACCEPTED BY BUILDING OWNERS IN ACCORDANCE WITH STO'S WARRANTY PROGRAMS WHICH ARE SUBJECT TO CHANGE FROM TIME TO TIME. For the fullest, most current information on proper application, clean-up, mixing and other specifications and warranties, cautions and disclaimers, please refer to the Sto Corp. website, www.stocorp.com.

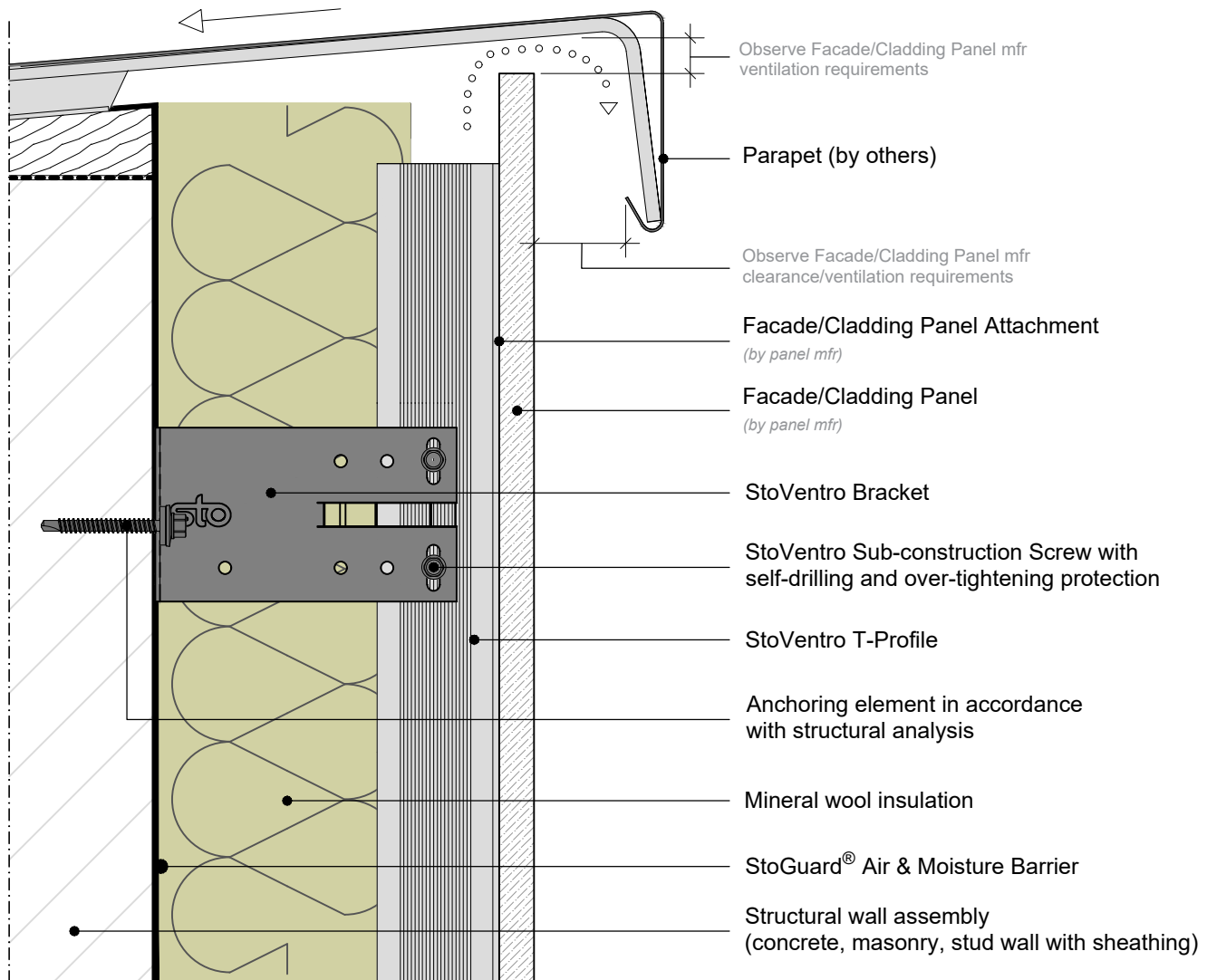
StoVentro™ Sub-Construction System

Parapet with 10mm ventilation gap

Date: May 2021

Section View

Detail No.: 90.Sc.180



ATTENTION

Sto products are intended for use by qualified professional contractors, not consumers, as a component of a larger construction assembly as specified by a qualified design professional, general contractor or builder. They should be installed in accordance with those specifications and Sto's instructions. Sto Corp. disclaims all, and assumes no, liability for on-site inspections, for its products applied improperly, or by unqualified persons or entities, or as part of an improperly designed or constructed building, for the nonperformance of adjacent building components or assemblies, or for other construction activities beyond Sto's control. Improper use of Sto products or use as part of an improperly designed or constructed larger assembly or building may result in serious damage to Sto products, and to the structure of the building or its components.

STO CORP. DISCLAIMS ALL WARRANTIES EXPRESSED OR IMPLIED EXCEPT FOR EXPLICIT LIMITED WRITTEN WARRANTIES ISSUED TO AND ACCEPTED BY BUILDING OWNERS IN ACCORDANCE WITH STO'S WARRANTY PROGRAMS WHICH ARE SUBJECT TO CHANGE FROM TIME TO TIME. For the fullest, most current information on proper application, clean-up, mixing and other specifications and warranties, cautions and disclaimers, please refer to the Sto Corp. website, www.stocorp.com.

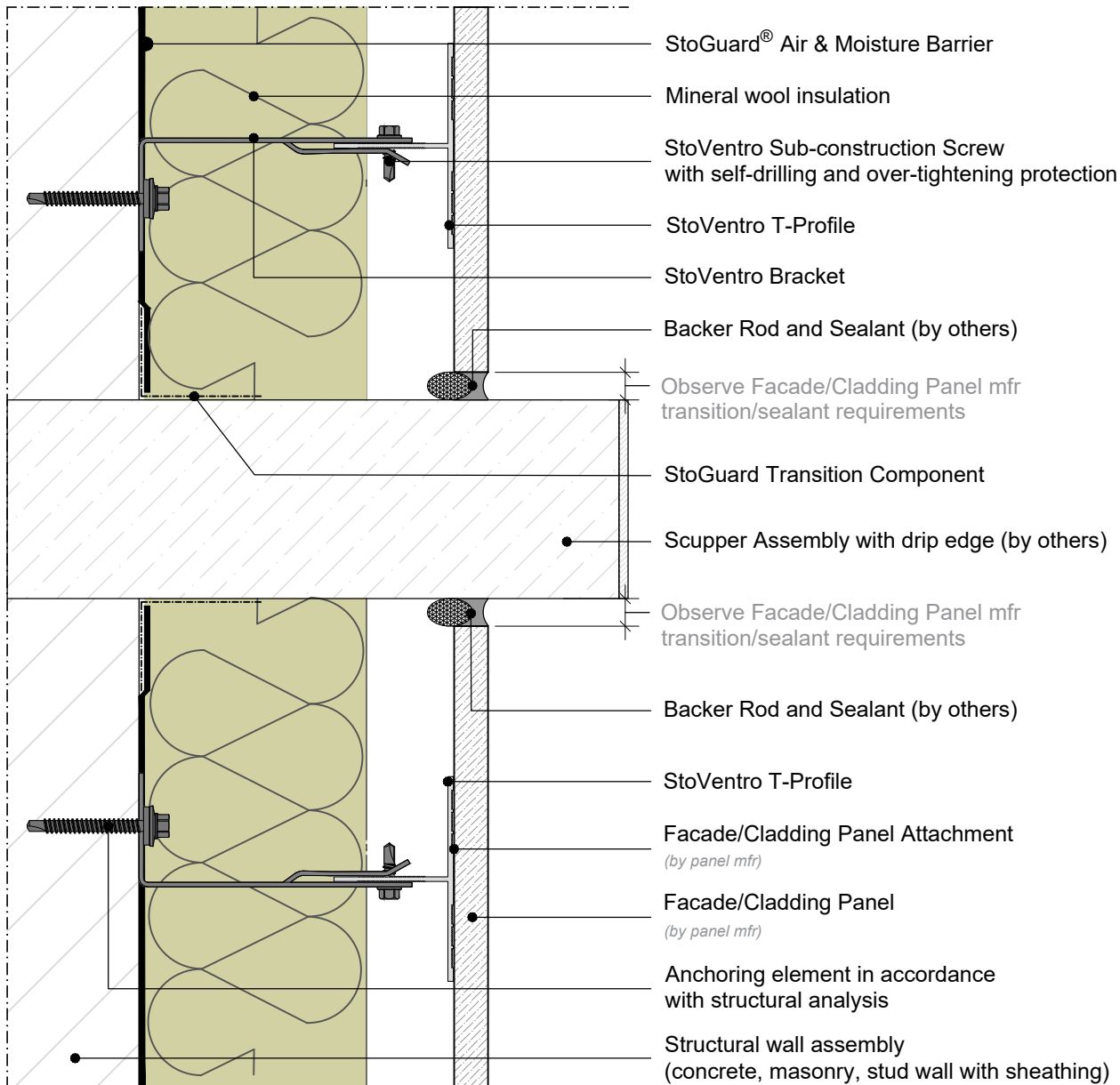
StoVentro™ Sub-Construction System

Scupper Penetration with Backer Rod and Sealant

Date: May 2021

Plan View

Detail No.: 90.Sc.300



ATTENTION

Sto products are intended for use by qualified professional contractors, not consumers, as a component of a larger construction assembly as specified by a qualified design professional, general contractor or builder. They should be installed in accordance with those specifications and Sto's instructions. Sto Corp. disclaims all, and assumes no, liability for on-site inspections, for its products applied improperly, or by unqualified persons or entities, or as part of an improperly designed or constructed building, for the nonperformance of adjacent building components or assemblies, or for other construction activities beyond Sto's control. Improper use of Sto products or use as part of an improperly designed or constructed larger assembly or building may result in serious damage to Sto products, and to the structure of the building or its components.

STO CORP. DISCLAIMS ALL WARRANTIES EXPRESSED OR IMPLIED EXCEPT FOR EXPLICIT LIMITED WRITTEN WARRANTIES ISSUED TO AND ACCEPTED BY BUILDING OWNERS IN ACCORDANCE WITH STO'S WARRANTY PROGRAMS WHICH ARE SUBJECT TO CHANGE FROM TIME TO TIME. For the fullest, most current information on proper application, clean-up, mixing and other specifications and warranties, cautions and disclaimers, please refer to the Sto Corp. website, www.stocorp.com.

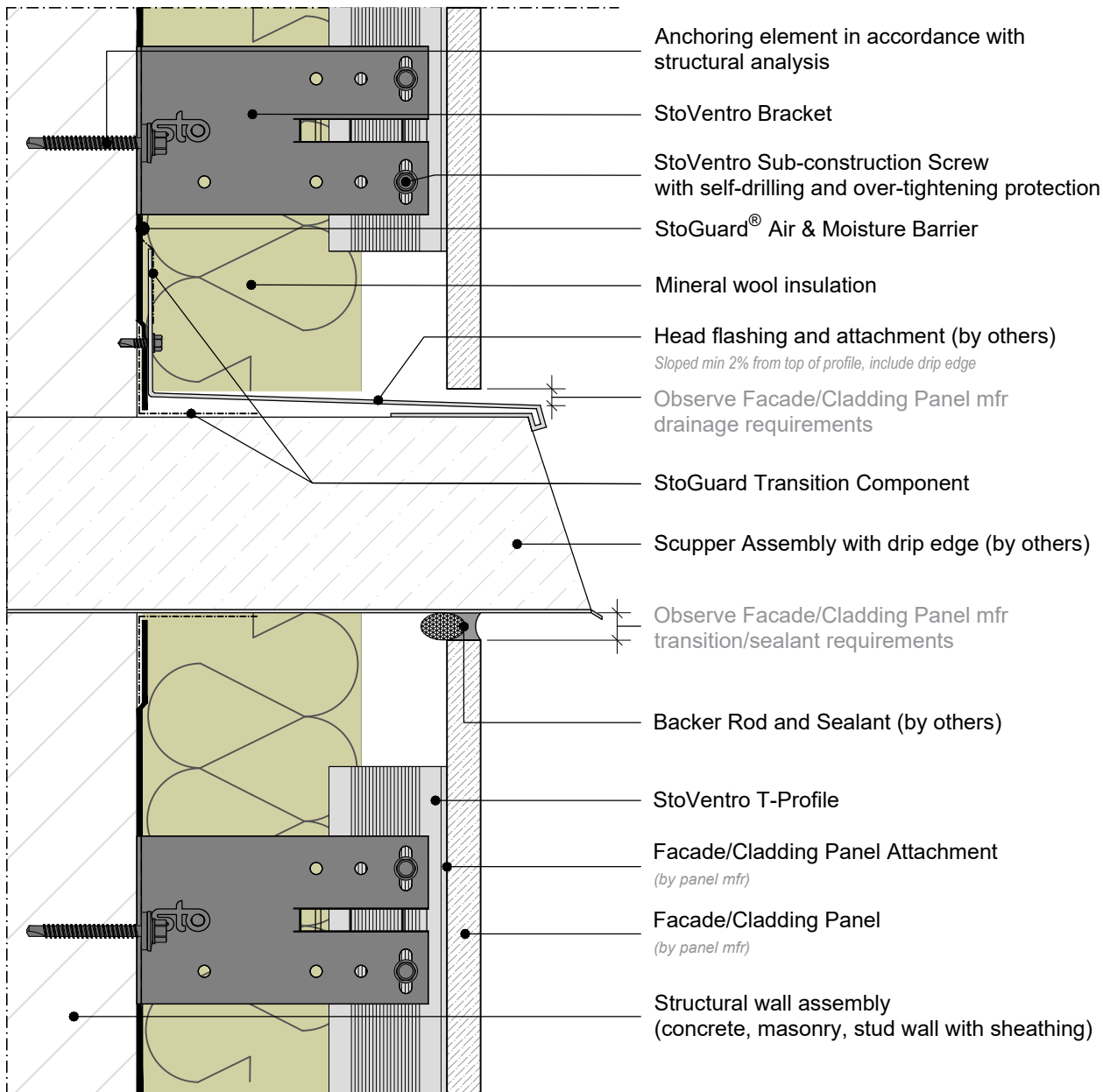
StoVentro™ Sub-Construction System

Scupper Penetration, Flashing with Backer Rod and Sealant

Date: May 2021

Section View

Detail No.: 90.Sc.301



ATTENTION

Sto products are intended for use by qualified professional contractors, not consumers, as a component of a larger construction assembly as specified by a qualified design professional, general contractor or builder. They should be installed in accordance with those specifications and Sto's instructions. Sto Corp. disclaims all, and assumes no, liability for on-site inspections, for its products applied improperly, or by unqualified persons or entities, or as part of an improperly designed or constructed building, for the nonperformance of adjacent building components or assemblies, or for other construction activities beyond Sto's control. Improper use of Sto products or use as part of an improperly designed or constructed larger assembly or building may result in serious damage to Sto products, and to the structure of the building or its components.

STO CORP. DISCLAIMS ALL WARRANTIES EXPRESSED OR IMPLIED EXCEPT FOR EXPLICIT LIMITED WRITTEN WARRANTIES ISSUED TO AND ACCEPTED BY BUILDING OWNERS IN ACCORDANCE WITH STO'S WARRANTY PROGRAMS WHICH ARE SUBJECT TO CHANGE FROM TIME TO TIME. For the fullest, most current information on proper application, clean-up, mixing and other specifications and warranties, cautions and disclaimers, please refer to the Sto Corp. website, www.stocorp.com.

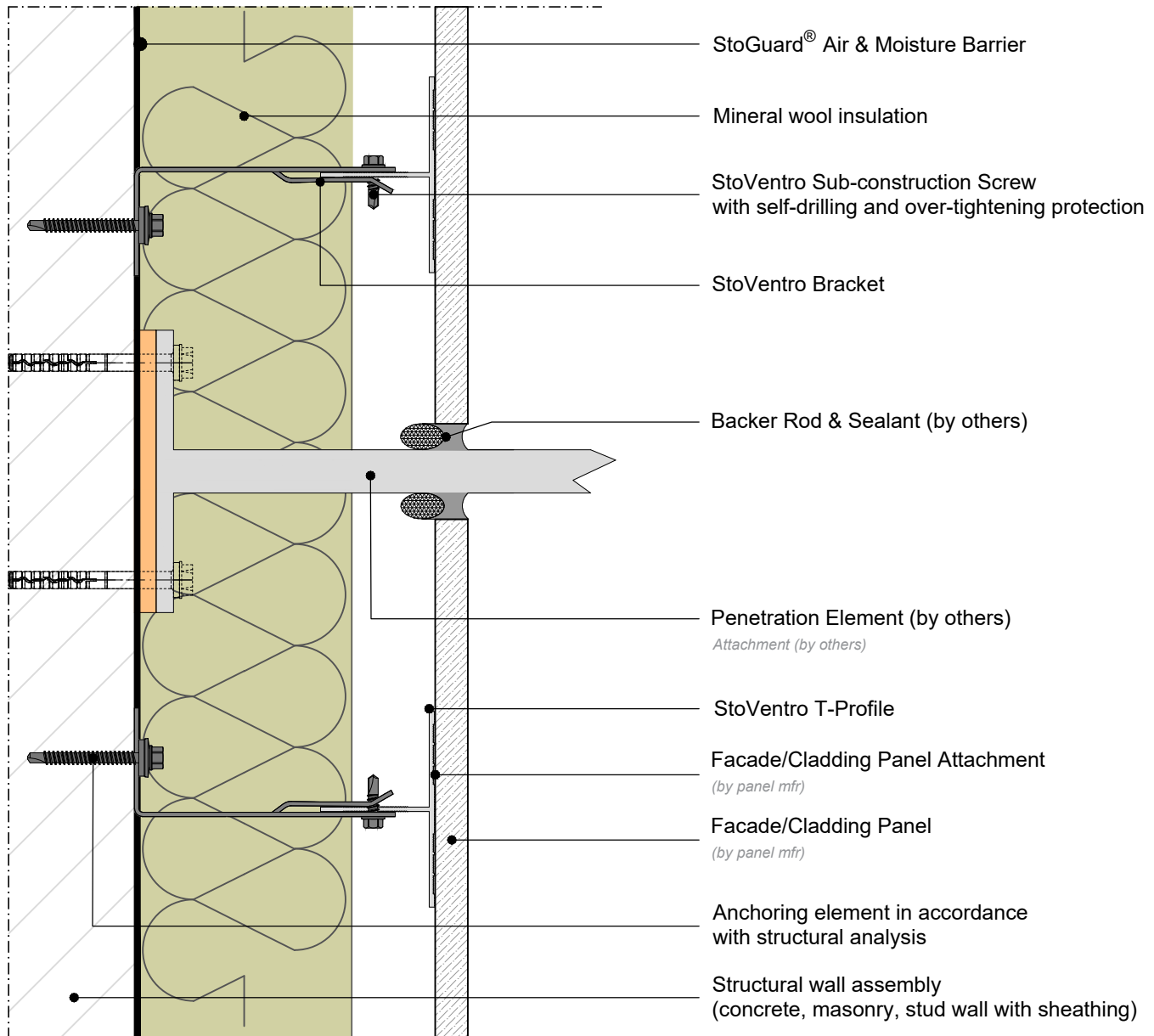
StoVentro™ Sub-Construction System

Penetration with Backer Rod and Sealant

Date: May 2021

Plan View

Detail No.: 90.Sc.330



ATTENTION

Sto products are intended for use by qualified professional contractors, not consumers, as a component of a larger construction assembly as specified by a qualified design professional, general contractor or builder. They should be installed in accordance with those specifications and Sto's instructions. Sto Corp. disclaims all, and assumes no, liability for on-site inspections, for its products applied improperly, or by unqualified persons or entities, or as part of an improperly designed or constructed building, for the nonperformance of adjacent building components or assemblies, or for other construction activities beyond Sto's control. Improper use of Sto products or use as part of an improperly designed or constructed larger assembly or building may result in serious damage to Sto products, and to the structure of the building or its components.

STO CORP. DISCLAIMS ALL WARRANTIES EXPRESSED OR IMPLIED EXCEPT FOR EXPLICIT LIMITED WRITTEN WARRANTIES ISSUED TO AND ACCEPTED BY BUILDING OWNERS IN ACCORDANCE WITH STO'S WARRANTY PROGRAMS WHICH ARE SUBJECT TO CHANGE FROM TIME TO TIME. For the fullest, most current information on proper application, clean-up, mixing and other specifications and warranties, cautions and disclaimers, please refer to the Sto Corp. website, www.stocorp.com.

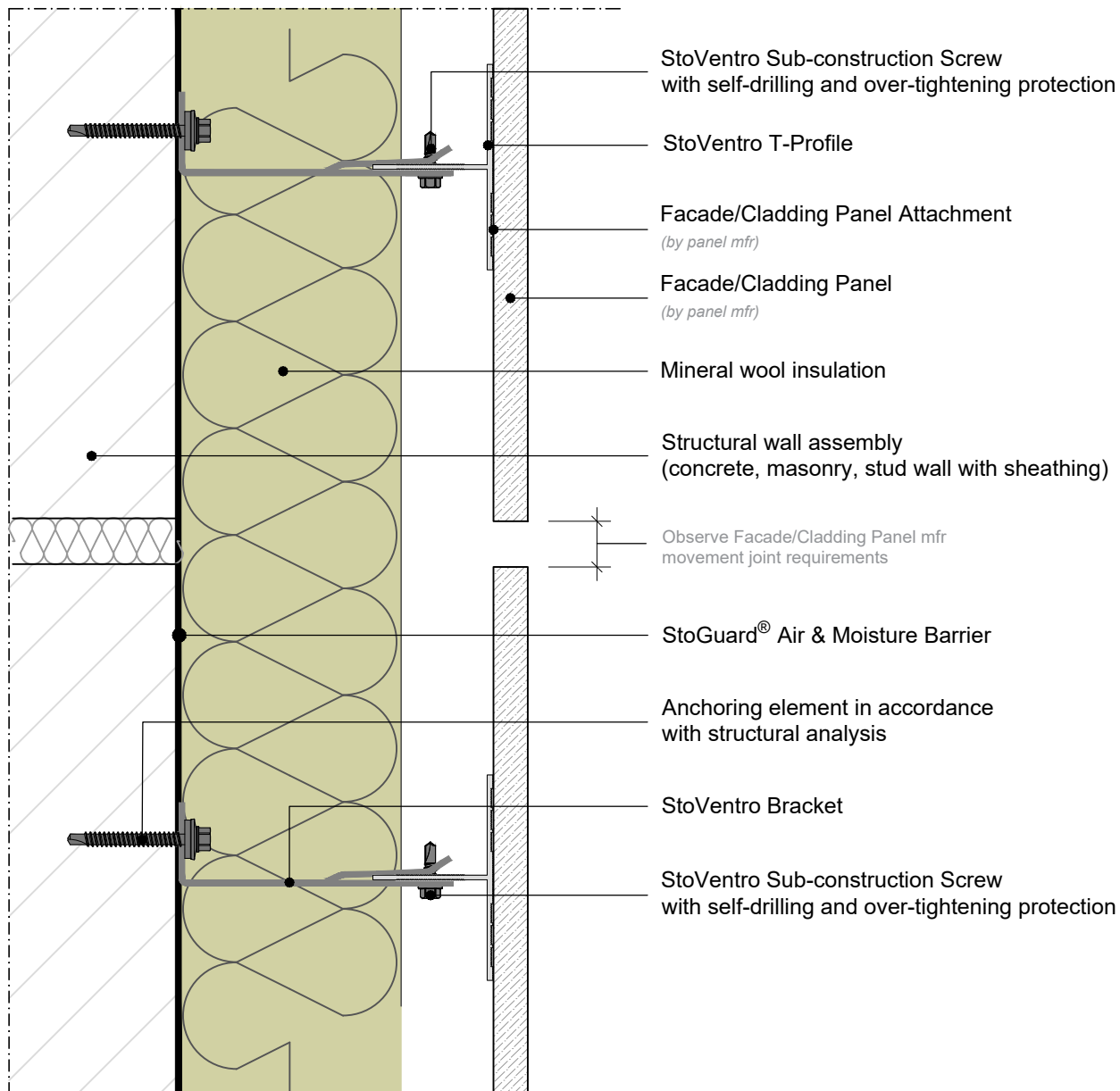
StoVentro™ Sub-Construction System

Back-up wall Structural Joint with Facade/Cladding Panel Joint

Date: May 2021

Plan View

Detail No.: 90.Sc.390



ATTENTION

Sto products are intended for use by qualified professional contractors, not consumers, as a component of a larger construction assembly as specified by a qualified design professional, general contractor or builder. They should be installed in accordance with those specifications and Sto's instructions. Sto Corp. disclaims all, and assumes no, liability for on-site inspections, for its products applied improperly, or by unqualified persons or entities, or as part of an improperly designed or constructed building, for the nonperformance of adjacent building components or assemblies, or for other construction activities beyond Sto's control. Improper use of Sto products or use as part of an improperly designed or constructed larger assembly or building may result in serious damage to Sto products, and to the structure of the building or its components.

STO CORP. DISCLAIMS ALL WARRANTIES EXPRESSED OR IMPLIED EXCEPT FOR EXPLICIT LIMITED WRITTEN WARRANTIES ISSUED TO AND ACCEPTED BY BUILDING OWNERS IN ACCORDANCE WITH STO'S WARRANTY PROGRAMS WHICH ARE SUBJECT TO CHANGE FROM TIME TO TIME. For the fullest, most current information on proper application, clean-up, mixing and other specifications and warranties, cautions and disclaimers, please refer to the Sto Corp. website, www.stocorp.com.

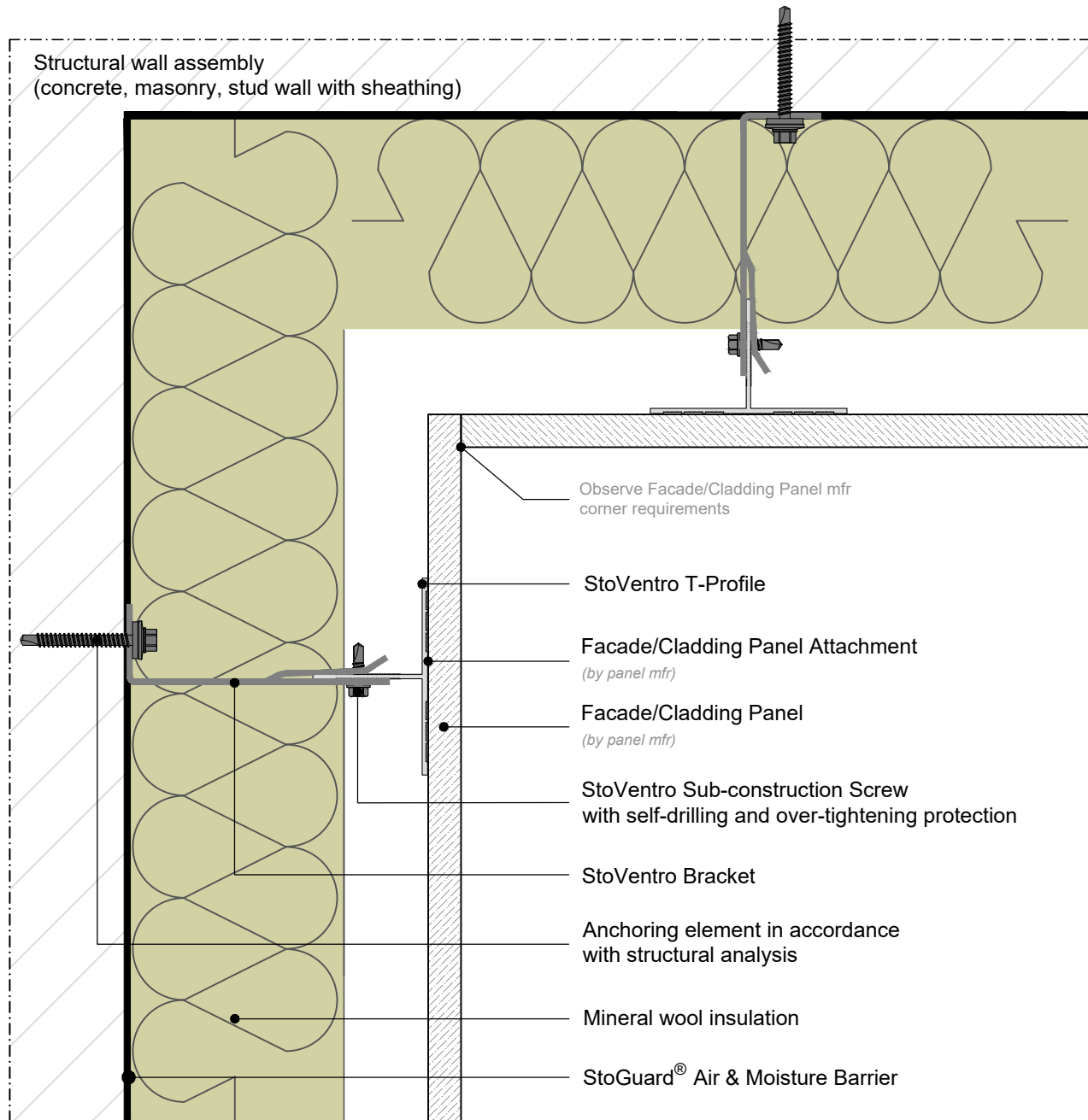
StoVentro™ Sub-Construction System

Inside Corner

Date: May 2021

Plan View

Detail No.: 90.Sc.400

**ATTENTION**

Sto products are intended for use by qualified professional contractors, not consumers, as a component of a larger construction assembly as specified by a qualified design professional, general contractor or builder. They should be installed in accordance with those specifications and Sto's instructions. Sto Corp. disclaims all, and assumes no, liability for on-site inspections, for its products applied improperly, or by unqualified persons or entities, or as part of an improperly designed or constructed building, for the nonperformance of adjacent building components or assemblies, or for other construction activities beyond Sto's control. Improper use of Sto products or use as part of an improperly designed or constructed larger assembly or building may result in serious damage to Sto products, and to the structure of the building or its components.

STO CORP. DISCLAIMS ALL WARRANTIES EXPRESSED OR IMPLIED EXCEPT FOR EXPLICIT LIMITED WRITTEN WARRANTIES ISSUED TO AND ACCEPTED BY BUILDING OWNERS IN ACCORDANCE WITH STO'S WARRANTY PROGRAMS WHICH ARE SUBJECT TO CHANGE FROM TIME TO TIME. For the fullest, most current information on proper application, clean-up, mixing and other specifications and warranties, cautions and disclaimers, please refer to the Sto Corp. website, www.stocorp.com.

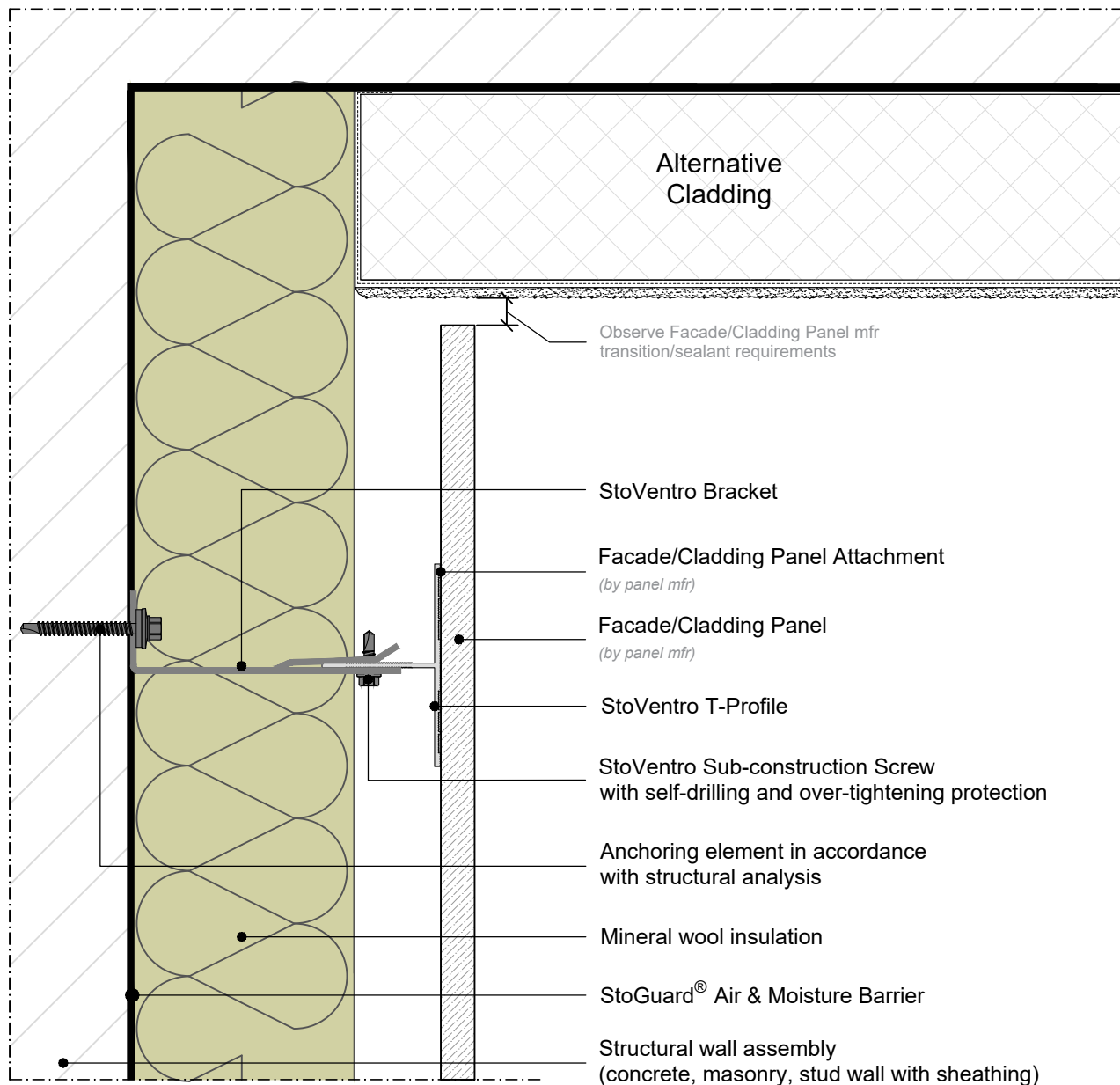
StoVentro™ Sub-Construction System

Installation at Inside Corner to alternative facade

Date: May 2021

Plan View

Detail No.: 90.Sc.409



ATTENTION

Sto products are intended for use by qualified professional contractors, not consumers, as a component of a larger construction assembly as specified by a qualified design professional, general contractor or builder. They should be installed in accordance with those specifications and Sto's instructions. Sto Corp. disclaims all, and assumes no, liability for on-site inspections, for its products applied improperly, or by unqualified persons or entities, or as part of an improperly designed or constructed building, for the nonperformance of adjacent building components or assemblies, or for other construction activities beyond Sto's control. Improper use of Sto products or use as part of an improperly designed or constructed larger assembly or building may result in serious damage to Sto products, and to the structure of the building or its components.

STO CORP. DISCLAIMS ALL WARRANTIES EXPRESSED OR IMPLIED EXCEPT FOR EXPLICIT LIMITED WRITTEN WARRANTIES ISSUED TO AND ACCEPTED BY BUILDING OWNERS IN ACCORDANCE WITH STO'S WARRANTY PROGRAMS WHICH ARE SUBJECT TO CHANGE FROM TIME TO TIME. For the fullest, most current information on proper application, clean-up, mixing and other specifications and warranties, cautions and disclaimers, please refer to the Sto Corp. website, www.stocorp.com.

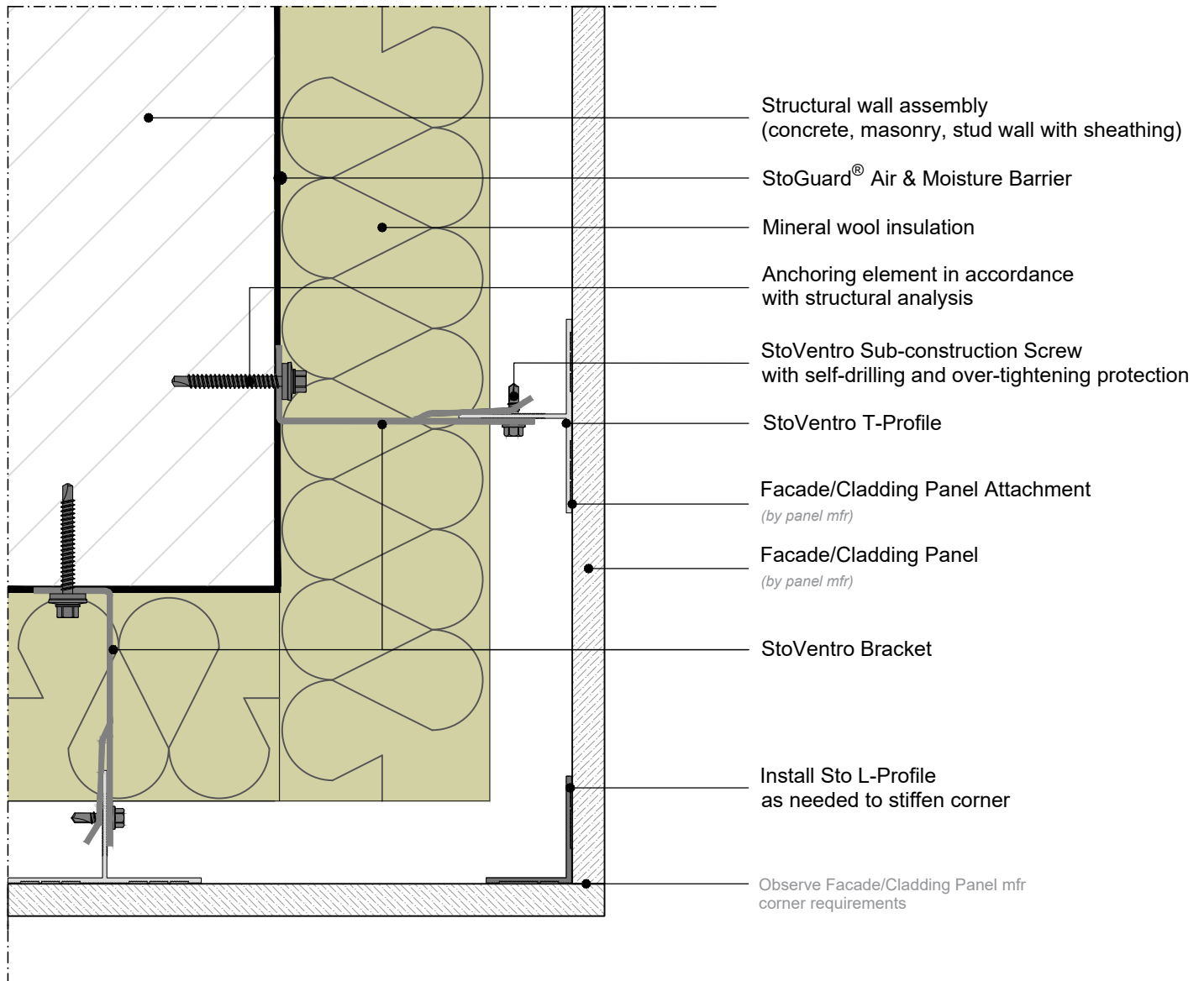
StoVentro™ Sub-Construction System

Outside Corner

Date: May 2021

Plan View

Detail No.: 90.Sc.410



ATTENTION

Sto products are intended for use by qualified professional contractors, not consumers, as a component of a larger construction assembly as specified by a qualified design professional, general contractor or builder. They should be installed in accordance with those specifications and Sto's instructions. Sto Corp. disclaims all, and assumes no, liability for on-site inspections, for its products applied improperly, or by unqualified persons or entities, or as part of an improperly designed or constructed building, for the nonperformance of adjacent building components or assemblies, or for other construction activities beyond Sto's control. Improper use of Sto products or use as part of an improperly designed or constructed larger assembly or building may result in serious damage to Sto products, and to the structure of the building or its components.

STO CORP. DISCLAIMS ALL WARRANTIES EXPRESSED OR IMPLIED EXCEPT FOR EXPLICIT LIMITED WRITTEN WARRANTIES ISSUED TO AND ACCEPTED BY BUILDING OWNERS IN ACCORDANCE WITH STO'S WARRANTY PROGRAMS WHICH ARE SUBJECT TO CHANGE FROM TIME TO TIME. For the fullest, most current information on proper application, clean-up, mixing and other specifications and warranties, cautions and disclaimers, please refer to the Sto Corp. website, www.stocorp.com.